

WHELEN[®]

ENGINEERING COMPANY

51 Winthrop Road
 Chester, Connecticut 06412-0684
 Phone: (860) 526-9504
 Internet: www.whelen.com
 Sales e-mail: autosale@whelen.com
 Customer Service e-mail: custserv@whelen.com

Installation Guide: Core Control Point
Model: CCP

⚠ WARNING: This product can expose you to chemicals including Lead which is known to the State of California to cause cancer and birth defects or other reproductive harm. For more information go to www.P65Warnings.ca.gov.

The Control Point serves as the main controller of a Whelen WeCanX (WCX) Series lightbar or Arges spotlight when a Core control system is not being utilized. When utilizing Whelen Command Programming Software, this module can be configured via the USB-C port to provide the necessary instructions that allow the WCX lightbar or Arges spotlight to function and operate in the desired manner.

NOTE: Charging-only cables used for mobile devices (i.e. cell phones or tablets) are not recommended for data transfer use. Not all cables are capable of charging and data transfer.

Diagnostic Output (J1, Pin 2):

The Diagnostic Output is a high-side programmable output signal, capable of sinking a maximum of 2.5 AMPS

Ignition Sense (J2, Pin 1):

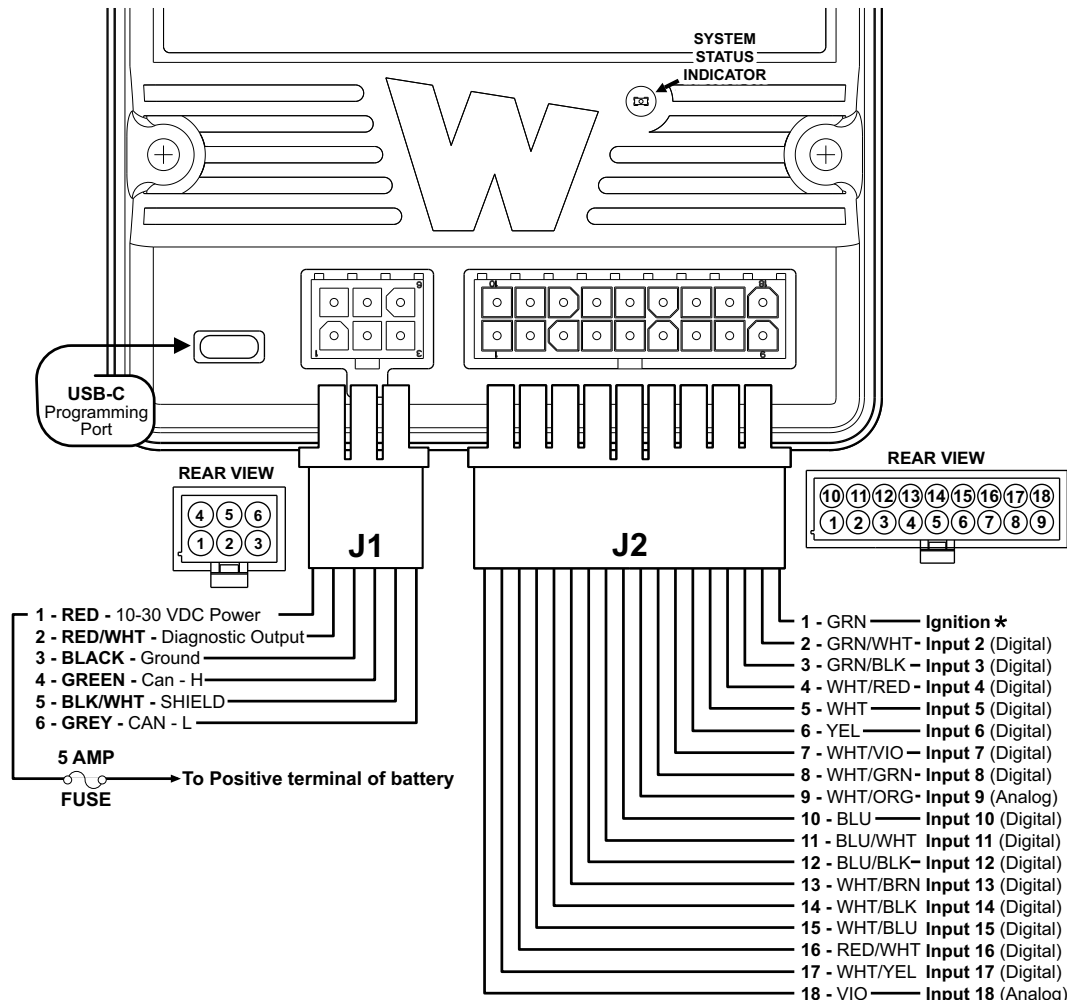
The Ignition Sense Input is to be wired to an ignition signal line on the vehicle. This will enable the WCX Control Point Module to turn on (line high, ignition sensed), or turn off (line low, ignition off).

Digital Inputs (J2, Pins 2-8 / Pins 10-17):

These pins are used as programmable digital inputs, activated by applying +VBAT to the input pin. These inputs can be used to trigger instructions for lightbar operation.

Analog Inputs (J2, Pins 9 / 18):

These pins are used as programmable analog inputs, capable of registering a range of voltages that can trigger lightbar



* Connect to an ignition controlled circuit that can accommodate an additional 250 mA load.