

WHELEN[®]

ENGINEERING COMPANY INC.

51 Winthrop Road
Chester, Connecticut 06412-0684
Phone: (860) 526-9504
Internet: www.whelen.com
Sales e-mail: autosale@whelen.com
Customer Service e-mail: custserv@whelen.com

Installation Guide:
L40 and L41 Series LED Beacons
12 & 24 Volts

Warnings to Installers

Whelen's emergency vehicle warning devices must be properly mounted and wired in order to be effective and safe. Read and follow all of Whelen's written instructions when installing or using this device. Emergency vehicles are often operated under high speed stressful conditions which must be accounted for when installing all emergency warning devices. Controls should be placed within convenient reach of the operator so that they can operate the system without taking their eyes off the roadway. Emergency warning devices can require high electrical voltages and/or currents. Properly protect and use caution around live electrical connections. Grounding or shorting of electrical connections can cause high current arcing, which can cause personal injury and/or vehicle damage, including fire. Many electronic devices used in emergency vehicles can create or be affected by electromagnetic interference. Therefore, after installation of any electronic device it is necessary to test all electronic equipment simultaneously to insure that they operate free of interference from other components within the vehicle. Never power emergency warning equipment from the same circuit or share the same grounding circuit with radio communication equipment. All devices should be mounted in accordance with the manufacturer's instructions and securely fastened to vehicle elements of sufficient strength to withstand the forces applied to the device. Driver and/or passenger air bags (SRS) will affect the way equipment should be mounted. This device should be mounted by permanent installation and within the zones specified by the vehicle manufacturer, if any. Any device mounted in the deployment area of an air bag will damage or reduce the effectiveness of the air bag and may damage or dislodge the device. Installer must be sure that this device, its mounting hardware and electrical supply wiring does not interfere with the air bag or the SRS wiring or sensors. Mounting the unit inside the vehicle by a method other than permanent installation is not recommended as unit may become dislodged during swerving; sudden braking or collision. Failure to follow instructions can result in personal injury. Whelen assumes no liability for any loss resulting from the use of this warning device. **PROPER INSTALLATION COMBINED WITH OPERATOR TRAINING IN THE PROPER USE OF EMERGENCY WARNING DEVICES IS ESSENTIAL TO INSURE THE SAFETY OF EMERGENCY PERSONNEL AND THE PUBLIC.**

Warnings to Users

Whelen's emergency vehicle warning devices are intended to alert other operators and pedestrians to the presence and operation of emergency vehicles and personnel. However, the use of this or any other Whelen emergency warning device does not guarantee that you will have the right-of-way or that other drivers and pedestrians will properly heed an emergency warning signal. Never assume you have the right-of-way. It is your responsibility to proceed safely before entering an intersection, driving against traffic, responding at a high rate of speed, or walking on or around traffic lanes. Emergency vehicle warning devices should be tested on a daily basis to ensure that they operate properly. When in actual use, the operator must ensure that both visual and audible warnings are not blocked by vehicle components (i.e.: open trunks or compartment doors), people, vehicles, or other obstructions. It is the user's responsibility to understand and obey all laws regarding emergency warning devices. The user should be familiar with all applicable laws and regulations prior to the use of any emergency vehicle warning device. Whelen's audible warning devices are designed to project sound in a forward direction away from the vehicle occupants. However, because sustained periodic exposure to loud sounds can cause hearing loss, all audible warning devices should be installed and operated in accordance with the standards established by the National Fire Protection Association.

Safety First

This document provides all the necessary information to allow your Whelen product to be properly and safely installed. Before beginning the installation and/or operation of your new product, the installation technician and operator must read this manual completely. Important information is contained herein that could prevent serious injury or damage.

⚠ WARNING: This product can expose you to chemicals including Methylene Chloride which is known to the State of California to cause cancer, and Bisphenol A, which is known to the State of California to cause birth defects or other reproductive harm. For more information go to www.P65Warnings.ca.gov.

- **Proper installation of this product requires the installer to have a good understanding of automotive electronics, systems and procedures.**
- **Whelen Engineering requires the use of waterproof butt splices and/or connectors if that connector could be exposed to moisture.**
- **Any holes, either created or utilized by this product, should be made both air- and watertight using a sealant recommended by your vehicle manufacturer.**
- **Failure to use specified installation parts and/or hardware will void the product warranty.**
- **If mounting this product requires drilling holes, the installer MUST be sure that no vehicle components or other vital parts could be damaged by the drilling process. Check both sides of the mounting surface before drilling begins. Also de-burr the holes and remove any metal shards or remnants. Install grommets into all wire passage holes.**
- **If this manual states that this product may be mounted with suction cups, magnets, tape or Velcro®, clean the mounting surface with a 50/50 mix of isopropyl alcohol and water and dry thoroughly.**
- **Do not install this product or route any wires in the deployment area of your air bag. Equipment mounted or located in the air bag deployment area will damage or reduce the effectiveness of the air bag, or become a projectile that could cause serious personal injury or death. Refer to your vehicle owner's manual for the air bag deployment area. The User/Installer assumes full responsibility to determine proper mounting location, based on providing ultimate safety to all passengers inside the vehicle.**
- **For this product to operate at optimum efficiency, a good electrical connection to chassis ground must be made. The recommended procedure requires the product ground wire to be connected directly to the NEGATIVE (-) battery post (this does not include products that use cigar power cords).**
- **If this product uses a remote device for activation or control, make sure that this device is located in an area that allows both the vehicle and the device to be operated safely in any driving condition.**
- **Do not attempt to activate or control this device in a hazardous driving situation.**
- **This product contains either strobe light(s), halogen light(s), high-intensity LEDs or a combination of these lights. Do not stare directly into these lights. Momentary blindness and/or eye damage could result.**
- **Use only soap and water to clean the outer lens. Use of other chemicals could result in premature lens cracking (crazing) and discoloration. Lenses in this condition have significantly reduced effectiveness and should be replaced immediately. Inspect and operate this product regularly to confirm its proper operation and mounting condition. Do not use a pressure washer to clean this product.**
- **It is recommended that these instructions be stored in a safe place and referred to when performing maintenance and/or reinstallation of this product.**
- **FAILURE TO FOLLOW THESE SAFETY PRECAUTIONS AND INSTRUCTIONS COULD RESULT IN DAMAGE TO THE PRODUCT OR VEHICLE AND/OR SERIOUS INJURY TO YOU AND YOUR PASSENGERS!**

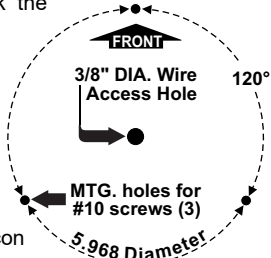
This beacon must be mounted in a normal, 'dome-up' position. The beacon can operate at either 12 or 24 volts and will automatically switch to whichever voltage is applied to the power wire.

CAUTION: Permanent mounting of this product will require drilling. It is absolutely necessary to make sure that no other vehicle components could be damaged by this process. Check both sides of the mounting surface before starting. If damage is likely, select a different mounting location.

Permanent Surface Mount:

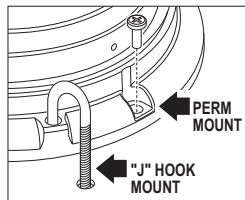
1. Use the base as a template and mark the three mounting holes off onto the mounting surface. Remove base. In the center between the three mounting holes, mark the location of the wire access hole.

2. Drill mounting holes into the mounting surface with a #16 drill bit. Drill the wire access hole with a 3/8" drill bit. Remove any burrs from the wire access hole and install a rubber grommet (user supplied) into the wire hole to protect the wires.

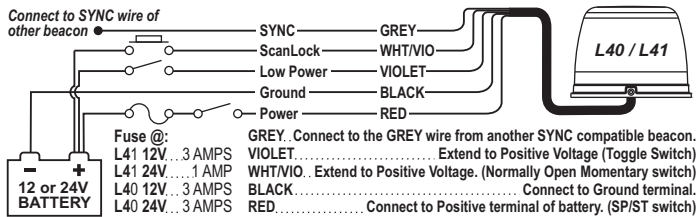


3. The base seal goes between the beacon base and the mounting surface.

4. Feed the wires through the base seal and then through the cable access hole. Place the base on the mounting surface and align the beacon mounting holes with the mounting holes drilled in step 2. Secure the beacon firmly to the mounting surface using the supplied #10 mounting screws.

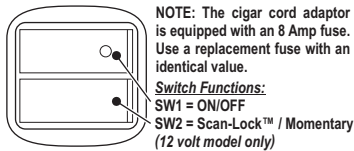


This beacon may be mounted using "J" hooks. Be sure to use the correct "J" hook mounting holes as shown above.



Wiring:

WARNING! All customer supplied wires that connect to the positive terminal of the battery must be sized to supply at least 125% of the maximum operating current and FUSED at the battery to carry that load. DO NOT USE CIRCUIT BREAKERS WITH THIS PRODUCT!



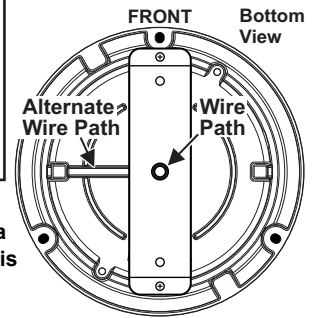
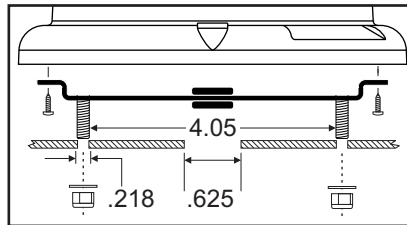
Temporary Mount (Optional):

WARNING: The use of any magnetically mounted warning device on the outside of a vehicle in motion is not recommended and is at the sole risk and responsibility of the user.

Magnetic/suction: Thoroughly clean the proposed mounting surface. For suction cup mounting, wipe the suction cup clean, place the beacon onto its mounting surface and apply gentle pressure to ensure a good seal has been achieved. The Magnetic/Suction Cups mount the same way but are best suited to a flat, steel surface. **Magnetic:** Place the beacon onto the mounting surface and plug it into the vehicle cigar lighter. Temporary mount models do not offer Low Power or SYNC.

Stud Mount (optional):

1. Remove the base gasket (if present) from the base and discard.
2. Route the wires through the hole in the center of the bracket. If desired, a slot for an alternate wire path is provided in the base.
3. Secure the Stud Bracket onto the base using the hardware provided. Drill wire passage and mounting holes using the information shown.



If an alternate wire path is used, drill a .375 DIA wire passage hole. Install a 3/8" grommet (user supplied) in this hole.

1" N.P.T. Pipe Mount (optional):

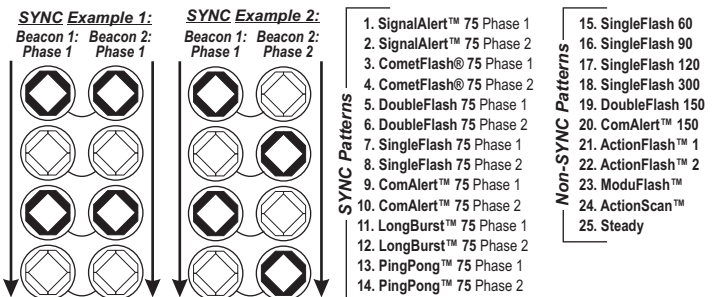
1. Remove the base gasket (if present) from the base and discard.
2. Feed beacon wires through pipe. Connect as shown in "Wiring".

Screw the beacon onto the pipe, being careful not to pinch or strain the wires. Hand tighten the unit onto the pipe.

Operation:

Low Power - Activate the VIOLET wire to put the beacon into low power operation. Disable this wire to restore normal, high power operation (toggle switch).

Photocell Low Power - If this beacon is equipped with photocell Hi-Low, the beacon will automatically step down to low power at night.



Scan-Lock™ - Activate the RED wire to turn on the beacon. To cycle forward through patterns, activate the WHT/VIO wire for less than 1 second and release. To cycle backward through patterns, activate the WHT/VIO wire for more than 1 second and release. To choose a pattern, allow it to run for more than 5 seconds. The beacon will now display this pattern when active. To reset to the factory default pattern, turn off power, activate the WHT/VIO wire, then turn power back on. Use a normally open momentary switch to control Scan-lock™. Cigar cord models have a momentary switch on the plug for Scan-Lock™ and an On/Off switch.

All beacons configured to display the Phase 1 mode of a pattern will flash simultaneously. Any beacons configured to display the Phase 2 mode of a pattern, will alternate with any Phase 1 beacons of the same pattern.

Sync - To sync two beacons, configure both beacons to display the same Phase 1 pattern. With the power off, connect the GREY wires from each beacon together. When the beacons are activated, their patterns will be synchronized. To configure the two beacons to alternate their patterns, advance the pattern of either beacon to the Phase 2 mode of the current pattern.

Do not SYNC more than 8 beacons.

IMPORTANT: It is the responsibility of the installation technician to make sure that the installation and operation of this product will not interfere with or compromise the operation or efficiency of any vehicle equipment! Before returning the vehicle to active service, visually confirm the proper operation of this product, as well as all vehicle components/equipment.

IMPORTANT WARNING!
CAUTION! DO NOT LOOK DIRECTLY AT THESE LED'S WHILE THEY ARE ON. MOMENTARY BLINDNESS AND/OR EYE DAMAGE COULD RESULT!

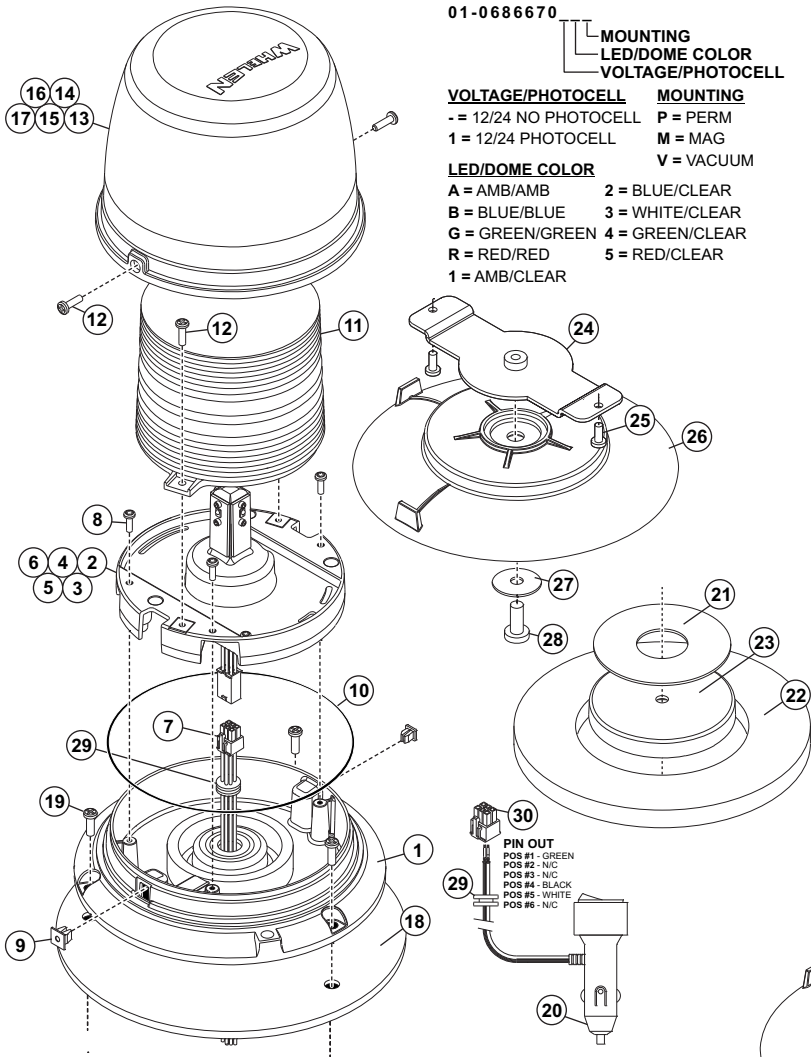
01-0686670

**MOUNTING
LED/DOME COLOR
VOLTAGE/PHOTOCELL**

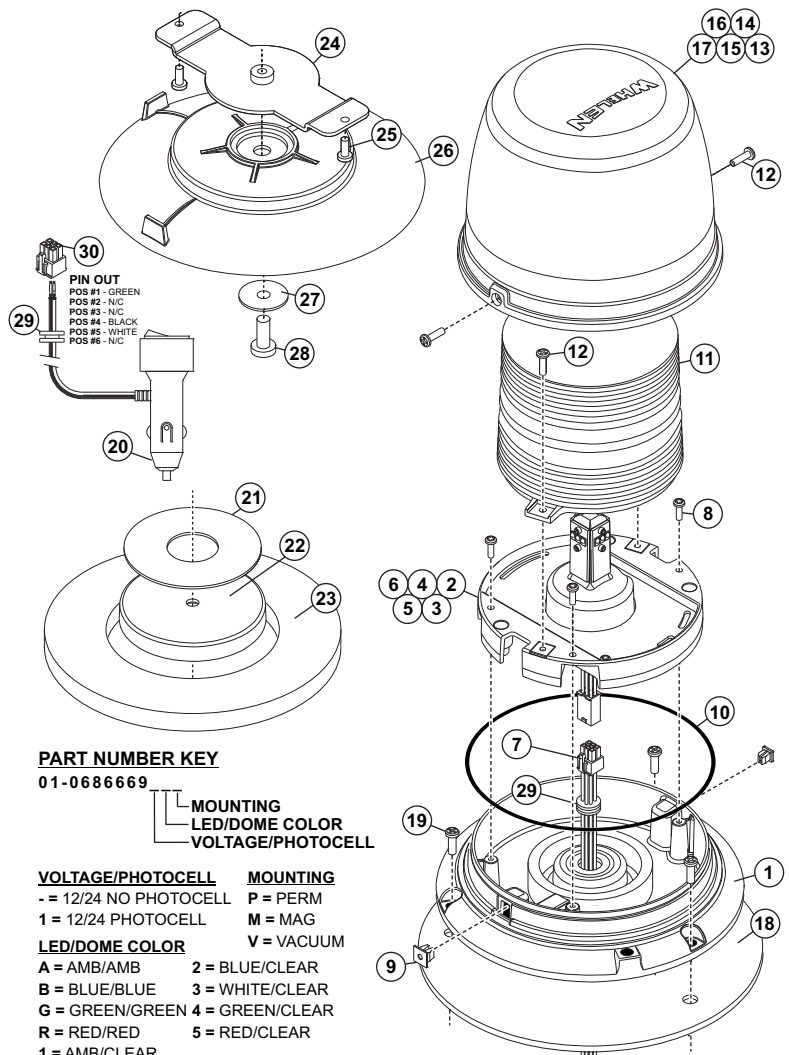
VOLTAGE/PHOTOCELL MOUNTING
 - = 12/24 NO PHOTOCELL P = PERM
 1 = 12/24 PHOTOCELL M = MAG
 V = VACUUM

LED/DOME COLOR
 A = AMB/AMB 2 = BLUE/CLEAR
 B = BLUE/BLUE 3 = WHITE/CLEAR
 G = GREEN/GREEN 4 = GREEN/CLEAR
 R = RED/RED 5 = RED/CLEAR
 1 = AMB/CLEAR

QTY	QTY	QTY	ITEM	PART NUMBER	DESCRIPTION
	*			01-0686670__P	L41 BEACON, PERM MOUNT
	*			01-0686670__M	L41 BEACON, MAGNETIC MOUNT
	*			01-0686670__V	L41 BEACON, VACUUM MOUNT
1	1	1	1	11-486549-007	HOUSING, LED BEACON DIE CAST, BLK
A/R	A/R	A/R	2	01-026C72821	ELECTRONIC SUB ASSY, L41 BEACON, AMBER
A/R	A/R	A/R	3	01-026C72822	ELECTRONIC SUB ASSY, L41 BEACON, BLU
A/R	A/R	A/R	4	01-026C72823	ELECTRONIC SUB ASSY, L41 BEACON, WHT
A/R	A/R	A/R	5	01-026C72824	ELECTRONIC SUB ASSY, L41 BEACON, GRN
A/R	A/R	A/R	6	01-026C72825	ELECTRONIC SUB ASSY, L41 BEACON, RED
-	-	1	7	46-0746688-00	ASSY, WIRES & CONN
3	3	3	8	14-040285-063	SCREW, 4-40 X 3/8 TORX TRLBLR 410 SS, BLK OX.
2	2	2	9	13-062C40-16J	SCREW GROMMET, #6/#8 FASTEX
1	1	1	10	38-0423637-00	O RING, 4.97 ID X .062 DIA L41 BEACON
1	1	1	11	68-296C388-30	DOME, CLR OPTIC FRESNEL LED BEACON
4	4	4	12	15-065419-080	SCREW, 6 X 1/2 PPH PLASTI 410 SS
A/R	A/R	A/R	13	68-2986501-10	DOME, AMB OPTIC LOW LED BEACON
A/R	A/R	A/R	14	68-2986501-20	DOME, BLU OPTIC LOW LED BEACON
A/R	A/R	A/R	15	68-2986501-30	DOME, CLR OPTIC LOW LED BEACON
A/R	A/R	A/R	16	68-2986501-40	DOME, GRN OPTIC LOW LED BEACON
A/R	A/R	A/R	17	68-2986501-50	DOME, RED OPTIC LOW LED BEACON
-	-	1	18	38-0241596-00	SEAL, BASE MODEL2000 SERIES B
-	-	3	19	15-101416-100	SCREW, 10 X 5/8 PPHSMS 410 SS
1	1	-	20	02-0243606-03	CORD, 2 SWITCH CIG. PLUG 8 AMP FUSE DUAC SCKTS
-	1	-	21	66-0421273-00	TAPE, MTG (90LB MAG.) ROTATING LT ASSY
-	1	-	22	65-0010192-00	MAG. X-80 NEW DMS (RB80) NICKLE PLATE
-	1	-	23	38-0143340-00	PAD, MOUNTING MAG. MT.
1	-	-	24	07-764648-023	PLATE, ADAPT. MAG/SUC. CUP 2500 BEACON BLK
2	-	-	25	15-081416-080	SCREW, 8 X 1/2 PPHSMS 410 SS
1	-	-	26	08-1583927-05	SUCTION CUP, MAGNET MOUNT
1	-	-	27	16-1302820-06	WSHR, FLAT 1/4" 7/8 OD SS 17/64 ID .056-.070" THK
1	-	-	28	14-130216-120	SCREW, 1/4-20 X 3/4 PPHMS SS
1	1	1	29	21-1117825-00	GROMMET, RUBBER BLK 5/32 ID X 15/32 OD X 5/16 THK
1	1	-	30	39-2E18179-06	HSG, PLUG, 2 X 3 POS, 9A 4.2MM CTR W/RAMP, DUAC
1	1	1	31	10-0323641-__	LABEL, L40 / L41 BEACONS



QTY	QTY	QTY	ITEM	PART NUMBER	DESCRIPTION
	*			01-0686669__P	L40 BEACON, PERM MOUNT
	*			01-0686669__M	L40 BEACON, MAGNETIC MOUNT
	*			01-0686669__V	L40 BEACON, VACUUM MOUNT
1	1	1	1	11-486549-007	HOUSING, LED BEACON DIE CAST, BLACK
A/R	A/R	A/R	2	01-026C72811	ELECTRONIC SUB ASSY, L40 BEACON, AMB
A/R	A/R	A/R	3	01-026C72812	ELECTRONIC SUB ASSY, L40 BEACON, BLU
A/R	A/R	A/R	4	01-026C72813	ELECTRONIC SUB ASSY, L40 BEACON, WHT
A/R	A/R	A/R	5	01-026C72814	ELECTRONIC SUB ASSY, L40 BEACON, GRN
A/R	A/R	A/R	6	01-026C72815	ELECTRONIC SUB ASSY, L40 BEACON, RED
-	-	1	7	46-0746688-00	ASSY, WIRES & CONN
3	3	3	8	14-040285-063	SCREW, 4-40 X 3/8 TORX TRLBLR 410 SS, BLK OXIDE
2	2	2	9	13-062C40-16J	SCREW GROMMET, #6/#8 FASTEX
1	1	1	10	38-0423637-00	O RING, 4.97 ID X .062 DIA L41 BEACON
1	1	1	11	68-296C388-30	DOME, CLEAR OPTIC FRESNEL LED BEACON
4	4	4	12	15-065419-080	SCREW, 6 X 1/2 PPH PLASTI 410 SS
A/R	A/R	A/R	13	68-2986501-10	DOME, AMBER OPTIC LOW LED BEACON
A/R	A/R	A/R	14	68-2986501-20	DOME, BLUE OPTIC LOW LED BEACON
A/R	A/R	A/R	15	68-2986501-30	DOME, CLEAR OPTIC LOW LED BEACON
A/R	A/R	A/R	16	68-2986501-40	DOME, GREEN OPTIC LOW LED BEACON
A/R	A/R	A/R	17	68-2986501-50	DOME, RED OPTIC LOW LED BEACON
-	-	1	18	38-0241596-00	SEAL, BASE MODEL2000 SERIES B
-	-	3	19	15-101416-100	SCREW, 10 X 5/8 PPHSMS 410 SS
1	1	-	20	02-0243606-03	CORD, 2 SWITCH CIG. PLUG 8 AMP FUSE, DUAC SCKTS
-	1	-	21	66-0421273-00	TAPE, MTG (90LB MAG.) ROTATING LT ASSY
-	1	-	22	65-0010192-00	MAG. X-80 NEW DMS (RB80) NICKLE PLATED
-	1	-	23	38-0143340-00	PAD, MOUNTING MAG. MT
1	-	-	24	07-764648-023	PLATE, ADAPT. MAG/SUC. CUP 2500 BEACON BLK
2	-	-	25	15-081416-080	SCREW, 8 X 1/2 PPHSMS 410 SS
1	-	-	26	08-1583927-05	SUCTION CUP, MAGNET MOUNT
1	-	-	27	16-1302820-06	WASHER, FLAT 1/4" 7/8 OD SS 17/64 ID .056-.070" THK
1	-	-	28	14-130216-120	SCREW, 1/4-20 X 3/4 PPHMS SS
1	1	1	29	21-1117825-00	GROMMET, RUBBER BLK 5/32 ID X 15/32 OD X 5/16 THK
1	1	-	30	39-2E18179-06	HSG, PLUG, 2 X 3 POS, 9A 4.2MM CTR W/RAMP, DUAC
1	1	1	31	10-0323641-__	LABEL, L40 / L41 BEACONS



PART NUMBER KEY

01-0686669

**MOUNTING
LED/DOME COLOR
VOLTAGE/PHOTOCELL**

VOLTAGE/PHOTOCELL MOUNTING
 - = 12/24 NO PHOTOCELL P = PERM
 1 = 12/24 PHOTOCELL M = MAG
 V = VACUUM

LED/DOME COLOR
 A = AMB/AMB 2 = BLUE/CLEAR
 B = BLUE/BLUE 3 = WHITE/CLEAR
 G = GREEN/GREEN 4 = GREEN/CLEAR
 R = RED/RED 5 = RED/CLEAR
 1 = AMB/CLEAR