



## Tripods and Tripod Kit



**STANDARD TRIPOD** (APOD-STD)

### FEATURES

- Rectangular, adjustable legs with leg pins
- Two stainless steel swivel eye bolt anchor points
- Stainless steel double-grooved pulley accommodates 8mm steel/stainless steel wire rope cable and fibre rope up to 13mm
- Each leg includes a stabilisation attachment point
- Dual-function Standard feet pivot to adjust to smooth ground variations and also may be swiveled on to its spiked edge for use on rocky terrain.

### IN THE BOX

- 1 x Standard tripod comprising 2 standard legs with eye bolts and 1 pulley leg
- 1 x Foot tether with rope grab
- 1 x Arachnipod standard bag

### This kit will make:

- Tripod
  - A-Frame (Rigging Plate required\*)
  - Sideways A-Frame
  - Handrail Recovery Monopole
- \* Optional extra



**ADVANTAGE TRIPOD** (APOD-ADV)

### FEATURES

- Rectangular, adjustable legs with leg pins
- Two stainless steel swivel eye bolt anchor points
- Stainless steel double-grooved pulley accommodates 8mm steel/stainless steel wire rope cable and fibre rope up to 13mm
- The versatile Lazy Leg also functions as a Standard leg
- Each leg includes a stabilisation attachment point
- Dual-function Standard feet pivot to adjust to smooth ground variations and also may be swiveled on to its spiked edge for use on rocky terrain.

### IN THE BOX

- 1 x Advantage tripod comprising 1 Standard leg with eye bolt, 1 Lazy Leg with eye bolt and 1 Pulley leg
- 1 x Lazy Leg Adaptor (accessory)
- 1 x Foot tether with rope grab
- 1 x Arachnipod standard bag

### This kit will make:

- Tripod
- A-Frame (Rigging Plate required\*)
- Sideways A-Frame (Rigging Plate required\*)
- A-Frame with Lazy Leg (Reverse Head and Quad Plate required\*)
- Handrail Recovery Monopole



**ADVANTAGE KIT** (APOD-ADV+)

### FEATURES

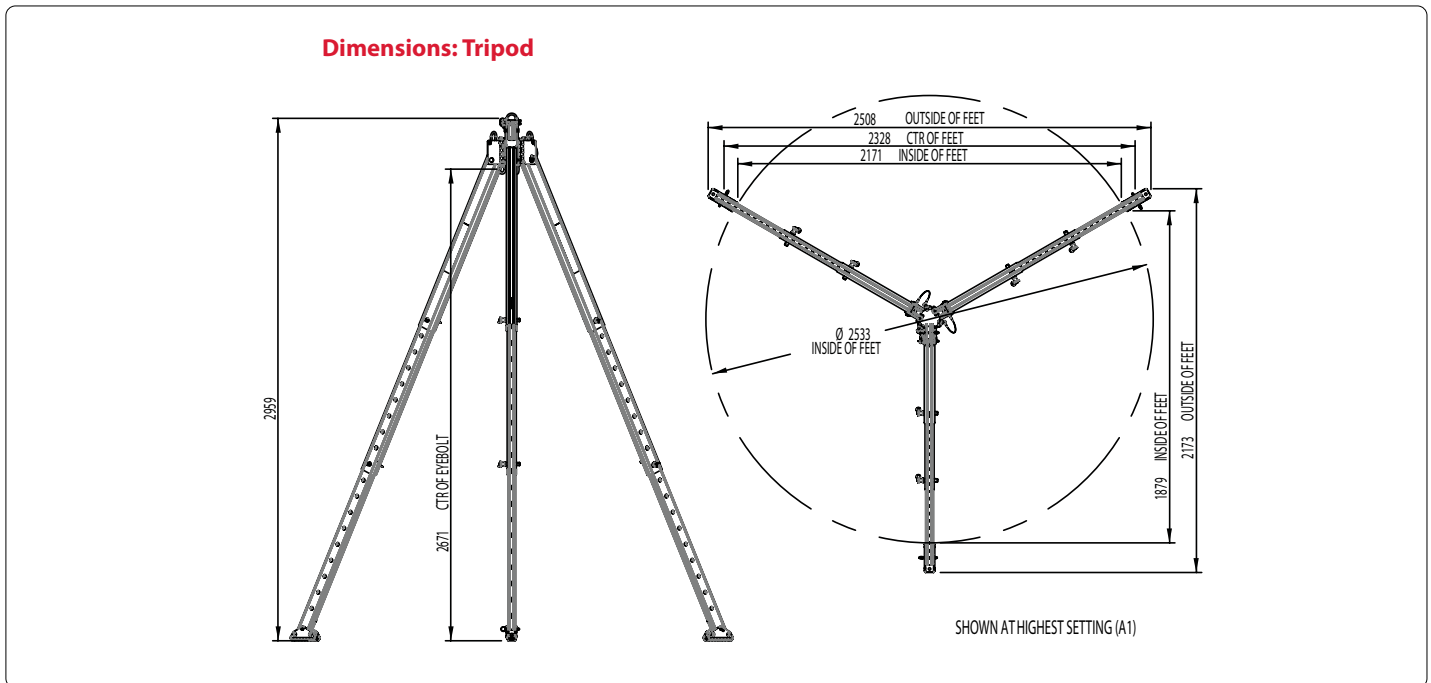
- Rectangular, adjustable legs with leg pins
- Two stainless steel swivel eye bolt anchor points
- Stainless steel double-grooved pulley accommodates 8mm steel/stainless steel wire rope cable, and fibre rope up to 13mm
- The versatile Lazy Leg also functions as a Standard leg
- Each leg includes a stabilisation attachment point
- Dual-function Standard feet pivot to adjust to smooth ground variations and also may be swiveled on to its spiked edge for use on rocky terrain.

### IN THE BOX

- Advantage Tripod comprising 1 each Standard, Pulley and Lazy Leg
- 1 x Lazy Leg Adaptor
- 1 x Foot tether and rope grab
- 1 x Arachnipod standard bag
- 1 x Advantage Accessory Kit containing essential extras:
  - › 1 x Advantage Accessory Kit Bag
  - › 1 x Reverse Head
  - › 1 x Gin Head
  - › 1 x Rigging Plate
  - › 3 x Spike Feet
  - › 1 x Quad Plate
- This kit will make all the same configurations as described for the Advantage Tripod

Arachnipod models are shown with the original Standard Foot but will be supplied with the new dual-function Standard Foot 2 for orders received on or after 24 August 2020.

Specifications	Standard Tripod	Advantage Tripod	Advantage Kit Tripod & Accessory Kit
Max. Inside Clearance Height	2671mm / 105"	2671mm / 105"	2671mm / 105"
Inside Feet Footprint	2533mm / 99.7"	2533mm / 99.7"	2533mm / 99.7"
Configured Device Weight	27kg / 60lb	26kg / 57lb	26kg / 57lb
Stowed in bag(s) Weight	35kg / 74lb	34kg / 75lb	Bag 1 <sup>†</sup> : 33kg / 73lb Accessory Kit: 5.5kg / 12lb
WLL External Anchor Point	400kg / 880lb at max. height	400kg / 880lb at max. height	400kg / 880lb at max. height
Minimum Breaking Strength	40kN	40kN	40kN
WLL Load Anchored to Leg	220kg / 485lb	220kg / 485lb	220kg / 485lb
Legs included in package	2 x Standard Legs 1 x Pulley Leg	1 x Standard Leg 1 x Pulley Leg 1 x Lazy Leg	1 x Standard Leg 1 x Pulley Leg 1 x Lazy Leg
Certification	Certified in 3 and 4 leg configurations to CEN/TS 16415:2013 for maximum 2 persons and EN 795:2012 for single person use		



As your requirements change, Archnipod tripods can be transformed to a Quadpod or Bridge System by adding additional components which are available for purchase individually, or bundled into convenient kits as listed below.

### Archnipod Expansion Kits

Expansion Kits are pre-assembled components, each designed to expand the capabilities of your current Archnipod

PART NUMBER	ARCHNIPOD PART NAME	INCLUSIONS
APOD-AKIT	Archnipod Full Accessory Kit	Kit bag, 1 each Rigging Plate, Quad Plate, Reverse Head, Gin Head and Equipment Bracket, 2 x Steps, 4 Spike Feet, Spare Hardware (2 Qik Link Head Pins, 1 leg Pin, 2 Detent Pins, 8 M12 Tru-Bolts, 2 M12 Masonry Drill Bits)
APOD-ADV AKIT	Advantage Accessory Kit	Kit bag, 1 each Rigging Plate, Quad Plate, Reverse Head, Gin Head and 3 x Spike Feet
APOD-LLK	Lazy Leg Kit	Lazy Leg, Reverse Head, Lazy Leg Adaptor Plug, Quad Plate and Lazy Leg Bag
APOD-EKLL	Lazy Leg Extension Kit	Lazy Leg Extender Plate Assembly and Lazy Leg Extender Head
APOD-BR2	2m Bridge Kit	2m Bridge, a spare Standard leg, Foot Tether and 2m Bridge Bag
APOD-BR3	3m Bridge Kit	3m Bridge, a spare Standard leg, Foot Tether and 3m Bridge Bag
APOD-BR4	4m Bridge Kit	4m Bridge, a spare Standard leg, Foot Tether and 4m Bridge Bag
APOD-BRS	Bridge Ratchet Strap Kit	2 each: 15 m Ratchet Straps, 1200mm Round Slings, 2500mm Snake Slings and 2500mm Round Slings. 1 x Ferno Grab Bag

Typing errors and technical changes reserved. Data provided by the manufacturer are typical values without warranty or guarantee.