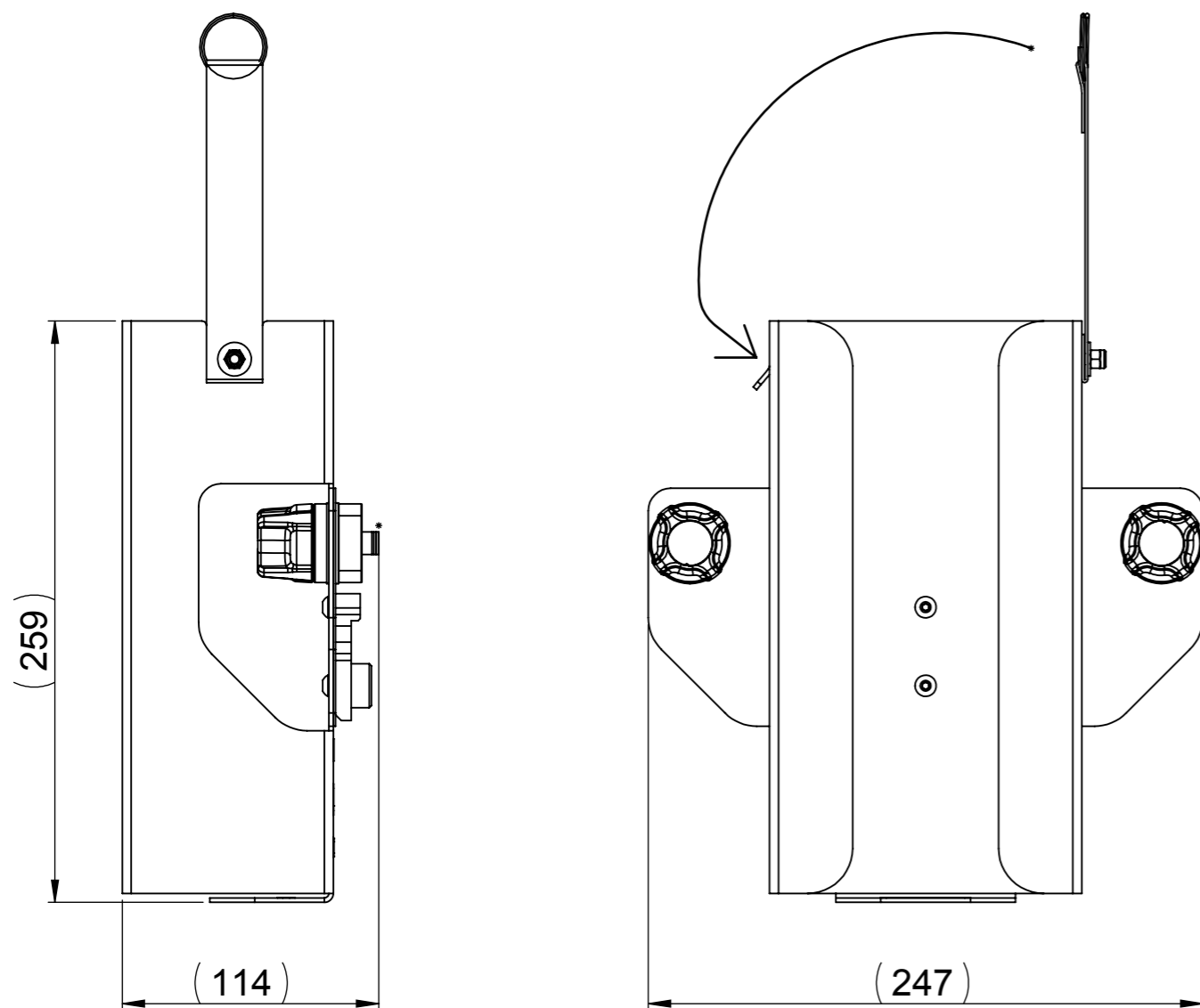
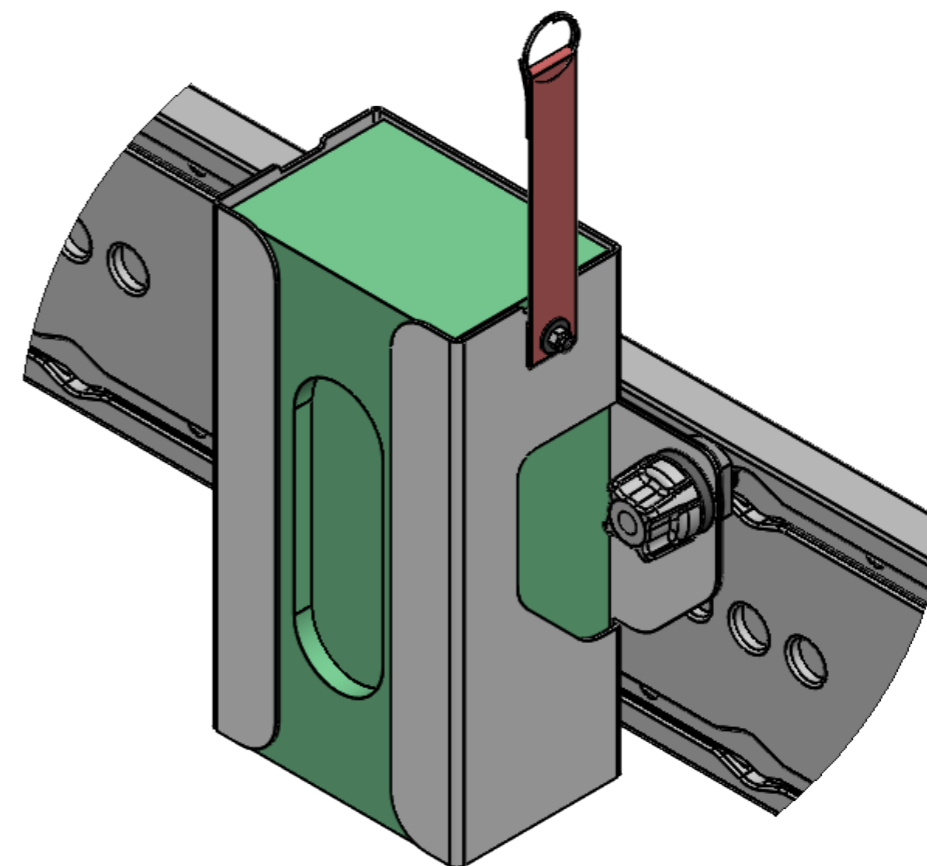


CUSTOMER DRAWING


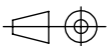
MOUNT IN TRACK

PLACE O-RING TO THE HOOK



NOTES:

- APPROX. WEIGHT: 0.97 KG

GENERAL TOLERANCES COMPLY WITH STN ISO 2768-mK		THIS DRAWING IS THE PROPERTY OF FERNO SLOVAKIA S.R.O.. IT IS NOT TO BE COPIED OR DUPLICATED IN ANY MANNER, AND SHALL NOT BE SUBMITTED TO OUTSIDE PARTIES FOR EXAMINATION WITHOUT OUR KNOWLEDGE AND CONSENT. IT SHALL BE USED AS A MEANS OF REFERENCE TO WORK FURNISHED BY THIS COMPANY ONLY.	
DRAWN BY A.TURIAK	DATE 6.6.2108	 FERNO-SLOVAKIA, s.r.o. Bosaca 893, 913 07 Slovak Republic	
MATERIAL	FIRST ANGLE PROJECTION 	SCALE: 1:5	SHEET: 3 OF 3
FINISH	DESCRIPTION GLOVEBOX, SINGLE		
REFERENCE	SIZE A3	PART NO. 048-0099	REVISION 0D