

Model 24, 24H Mortuary Cots



Users' Manual

February 2018

Pub. No. 234-0008-09



Read this Manual and Retain
for Future Reference 

Ferno Customer Relations

For ordering assistance or general information:

CANADA AND THE U.S.A.

Telephone (Toll-free)	1.877.733.0911
Telephone	1.937.382.1451
Fax (Toll-free)	1.888.388.1349
Fax	1.937.382.1191
Internet	www.ferno.com

ALL OTHER LOCATIONS

For assistance or information, please contact your Ferno distributor. If you do not have a Ferno distributor, please contact Ferno Customer Relations:

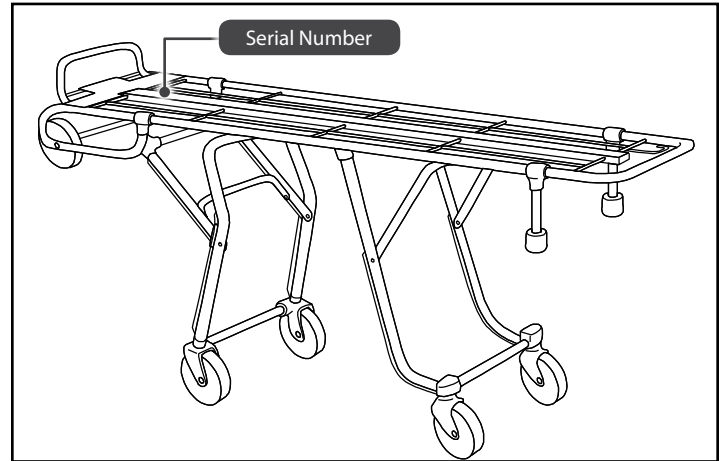
Ferno-Washington, Inc., 70 Weil Way
Wilmington, Ohio 45177-9371, U.S.A.

Telephone	Country Code +1.937.382.1451
Fax	Country Code +1.937.382.6569
Internet	www.ferno.com



USERS' MANUALS

To request additional free users' manuals, contact Ferno Customer Relations, your Ferno distributor, or www.ferno.com.



Disclaimer

This manual contains general instructions for the use, operation and care of this product. The instructions are not all-inclusive. Safe and proper use of this product is solely at the discretion of the user. Safety information is included as a service to the user. All other safety measures taken by the user should be within and under consideration of applicable regulations and local protocol. Training on the proper use of this product must be provided before using this product in an actual situation.

Retain this manual for future reference. Include it with the product in the event of transfer to new users. Additional free copies are available upon request from Customer Relations.

Proprietary Notice

The information disclosed in this manual is the property of Ferno-Washington, Inc., Wilmington, Ohio, USA. Ferno-Washington, Inc. reserves all intellectual property rights, proprietary design rights, manufacturing rights, reproduction use rights, and sales use rights thereto, and to any article disclosed therein except to the extent those rights are expressly granted to others or where not applicable to vendor proprietary parts.

Limited Warranty Statement

The products sold by Ferno are covered by a limited warranty, which is printed on all Ferno invoices. The complete terms and conditions of the limited warranty, and the limitations of liability and disclaimers, are also available upon request by calling Ferno at 1.800.733.3766 or 1.937.382.1451.



Ferno-Washington, Inc.
70 Weil Way
Wilmington, Ohio 45177-9371 U.S.A.
1.937.382.1451



Ferno (UK) Limited
Stubs Beck Lane, Cleckheaton
West Yorkshire BD19 4TZ, United Kingdom
44 (0) 1274 851999


TABLE OF CONTENTS

Section	Page	Section	Page
Ferno Customer Relations _____	2	5 - Using the Cot _____	11
1 - Safety Information _____	4	5.1 Before Placing the Cot in Service _____	11
1.1 Warning _____	4	5.2 General Guidelines for Use _____	11
1.2 Notice _____	4	5.3 Changing Cot Levels _____	12
1.3 Tip _____	4	5.4 Transferring the Body to the Cot _____	13
1.4 Bloodborne Disease Notice _____	4	5.5 Rolling the Cot _____	13
1.5 Fastening System Compatibility _____	4	5.6 Maneuvering the Cot In a Confined Area _____	14
1.6 Symbol Glossary _____	5	5.7 Loading the Cot _____	15
1.7 Safety and Instruction Labels _____	5	5.8 Unloading the Cot _____	16
2 - Operator Focus _____	6	6 - Maintenance _____	17
2.1 Operator Training _____	6	6.1 Maintenance Schedule _____	17
2.2 Operator Height and Strength _____	6	6.2 Disinfecting and Cleaning the Body Restraints _____	17
2.3 Daily Operator Duties _____	6	6.3 Disinfecting and Cleaning the Mattress _____	17
2.4 Using Additional Help _____	7	6.4 Disinfecting the Cot _____	17
3 - About the Cot _____	8	6.5 Cleaning the Cot _____	17
3.1 Description _____	8	6.6 Waxing the Cot _____	17
3.2 General Specifications _____	8	6.7 Inspecting the Cot _____	18
3.3 Components (Models 24 and 24H) _____	9	6.8 Lubricating the Cot _____	19
4 - Setup _____	10	7 - Parts and Service _____	20
4.1 Vehicle Information _____	10	7.1 U.S.A. and Canada _____	20
4.2 Installing the Foot Support _____	10	7.2 Worldwide _____	20
4.3 Mattress and Restraints _____	10	7.3 Parts Diagrams _____	20
		8 - Accessories _____	21
		Training Record _____	22
		Maintenance Record _____	23

1 - SAFETY INFORMATION

1.1 Warning

Warning safety alerts indicate a potentially hazardous situation that, if not avoided, could result in injury or death.

 WARNING
Untrained operators can cause injury or be injured. Permit only trained personnel to operate the cot.
Helpers can cause injury or be injured. Maintain control of the cot, operate the controls, and direct all helpers.
Improper use of the cot can cause injury. Use the cot only for the purpose described in this manual.
Attaching improper items to the cot can cause injury. Use only Ferno-approved items on the cot.
Improper operation can cause injury. Operate the cot only as described in this manual.
An unrestrained body can fall off the cot. Use restraints to secure the body on the cot.
Rolling the Model 24H cot in the loading position can cause it to tip. Use a rolling position when rolling the cot.
Rolling the cot sideways or in the loading position can cause it to tip and injure the operator(s). Roll the cot only in a level (Rolling) position and with the loading end or control end first.
Improper maintenance can cause injury. Maintain the cot only as described in this manual.
Improper parts and service can cause injury. Use only Ferno parts and Ferno-approved service on the cot.
Modifying the cot can cause injury and damage. Use the cot only as designed by Ferno.

1.2 Notice

Notices emphasize important, but not hazard-related information. Failure to follow Notices could result in product or property damage.

NOTICE

1.3 Tip

Tips provide recommendations for easier use of the product.

Tip

1.4 Bloodborne Disease Notice

To reduce the risk of exposure to blood or other potentially infectious materials when using the cot, follow the disinfecting and cleaning instructions in this manual.

1.5 Fastening System Compatibility

Combining different manufacturers' products such as a Ferno cot/transport system with a non-Ferno fastening system can increase the user's risk of injury and damage.

Ferno-Washington, Inc. products are designed for use only with Ferno-manufactured fastening systems. Use of a Ferno cot/transport system with a non-Ferno fastening system is misuse of the Ferno product. The user assumes responsibility for the outcome of known, intentional misuse.

1.6 Symbol Glossary

The symbols defined at right are used on the cot and/or in this manual. Ferno uses symbols recognized by the International Standards Organization (ISO), American National Standards Institute (ANSI) and the mortuary services industry.



General Warning of Potential Injury



Pinch Point: Keep Hands Clear



Read the Users' Manual



Operation Requires Two Trained Operators



Load Capacity
(Safe Working Load in pounds, kilograms, stone)



Product meets European Union Standards



Unlocked



Locked



Do Not Lubricate



Lubricate



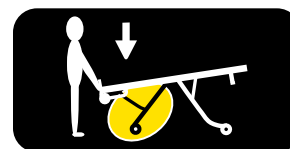
Manufacturer



Authorized Representative in the European Community

1.7 Safety and Instruction Labels

Safety and instruction labels place important information from the users' manual on the cot. Read and follow label instructions. Replace worn or damaged labels immediately.



Loading-end Label: Identifies the function of the loading-end control handle.



Operator-end Label: Identifies the cot, provides safety and load capacity information, and identifies the function of the control-end control handle.

2 - OPERATOR FOCUS

2.1 Operator Training

Operator using the cot:

- must read and understand this manual.
- must have training on proper use of the cot.
- must have a training on mortuary-service procedures.
- must have the physical ability to operate the cot.
- must practice with the cot before using it in regular service.
- must keep training records. For a sample training record sheet, see "Training Record" on page 22.

2.2 Operator Height and Strength

When unloading the cot from a vehicle, the operator must be able to hold the cot high enough for both sets of legs to remain clear of the ground so they can unfold completely and lock into place.

Supporting this weight requires greater strength from short operators than from tall operators because short operators must raise their arms higher in relation to their shoulders (Figure 1).

If the vehicle is parked on an uneven surface, the Operator-end operator (and any helpers) may need to lift the cot higher than normal to allow the legs to unfold completely and lock.

Note: Use additional help as needed to lift the weight of the cot, body and equipment. See "Using Additional Help" on page 7.

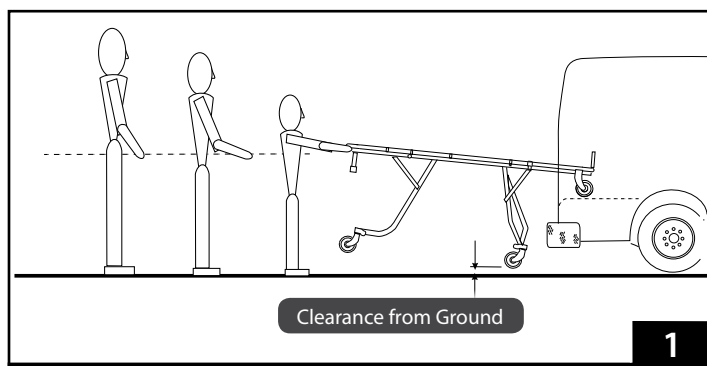
2.3 Daily Operator Duties

It is good practice for operators to check equipment at the start of each work shift. To check the cot prior to use, follow the procedures described in this manual:

- Unload the cot from the vehicle.
- Fold the cot to the floor or ground.
- Raise the cot to a suitable rolling height.
- Visually inspect the cot for readiness. See "Inspecting the Cot" on page 18.
- Rotate the cot in a circle to verify it rolls easily.
- Load the cot into vehicle and secure it in the fastening system, if present.

WARNING

Untrained operators can cause injury or be injured.
Permit only trained personnel to operate the cot.



2.4 Using Additional Help

Operating the cot requires a minimum of one trained operator. The operator may need additional help when working with heavy loads.

The operator should remain at the Operator end of the cot, operate the controls, and direct all helpers.

Ferno recommends that helpers work in pairs to help maintain cot balance. Side helpers may need to walk sideways under some circumstances. Follow local protocols.

Refer to the chart for suggested placement for operators and helpers.

WARNING

Helpers can cause injury. Maintain control of the cot, operate the controls, and direct all helpers.

NOTICE

The trained operator position stay at the Operator end of the cot and operate the controls. Show helpers where to stand and how to grasp the cot.

Load Capacity

400 lb
181 kg
28.5 st

Inspect the cot if the load capacity has been exceeded. See "Inspecting the Cot" on page 18.

Helpers	Changing Levels	Rolling	Loading/Unloading
One Operator + One Helper			
One Operator + Three Helpers			
One Operator + Five Helpers			
<p>Key: O = Operator H = Helper B = Body H* = Second Trained Operator if present</p>			

3 - ABOUT THE COT

3.1 Description

The Ferno® Model 24 and 24H Series Multi-Level Mortuary Cots is a mortuary-service device designed to transport a body. The cot is for professional use by one or more trained operators. It is designed for roll-in loading to help reduce the risk of back injury to mortuary service personnel.

A mattress and a set of chest and leg restraints are included with each cot. Both Model 24 and Model 24H are referred to as the “cot” in this manual where features are identical. Where features differ, the model name is specified.

Features:

- Footrest
- Loading wheels
- Loading posts
- (Model 24) 7-level positioning
- (Model 24H) An eighth level is provided at the loading end only for use with high-floored vehicles.

Options:

- Operator-end transport wheels swivel locks
- Side rails

3.2 General Specifications


Specifications for the cot are shown in the tables at right. General specifications are rounded. Metric conversions are calculated before rounding the Imperial measurement.

Ferno reserves the right to change specifications without notice. For more information, contact Ferno Customer Relations or your Ferno distributor (page 2).

- Height measurements are as follows:
 - Loading Position is the distance from the ground to the bottom of the loading wheel.
 - Bed Position is the distance from the ground to the bed surface, measured at the casting in the center of the bed surface.
- Weight is without mattress, restraints and optional features.
- All Ferno® mattresses are fully-sealed.

 **WARNING**

Improper use of the cot can cause injury. Use the cot only for the purpose described in this manual.



Load Capacity

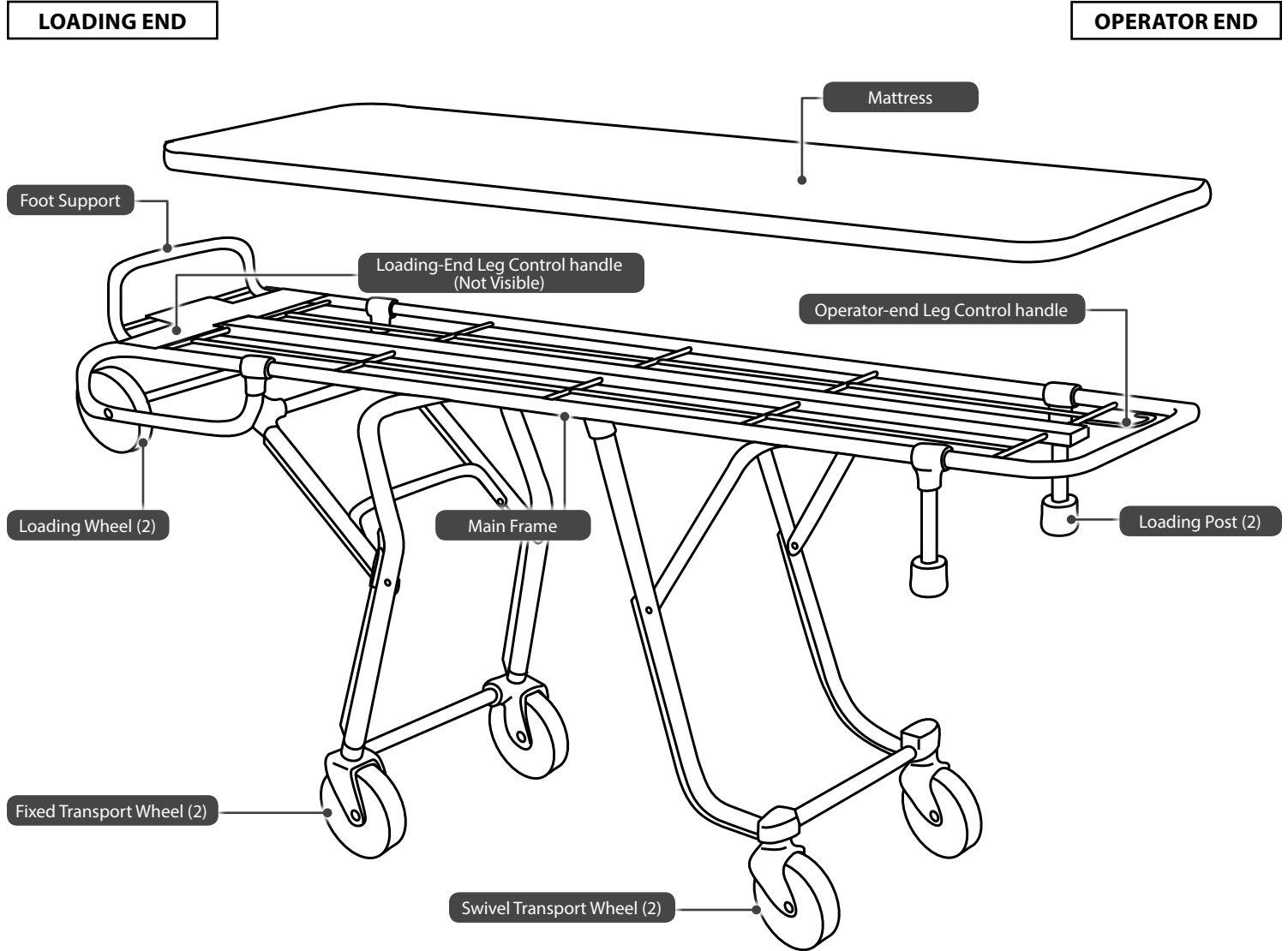
Inspect the cot if the load capacity has been exceeded. See “Inspecting the Cot” on page 18.

Specifications	Imperial	Metric
Load Capacity	400 lb	181 kg
Load Capacity (UK)		28.5 st
Weight (Model 24)	51 lb	23 kg
Weight (Model 24H)	51 lb	23 kg
Construction	Tubular aluminum	
Wheel Bearings	Sealed/greaseless	

Dimensions	Imperial	Metric
Width Overall	20.5 in	521 mm
Length Overall	77 in	1960 mm
Wheels (Diameter x Width)	5x1 in	127x25 mm
Model 24 Height*		
Bed Surface Maximum	33.5 in	850 mm
Loading Height	26 in	655 mm
Bed Surface Minimum	11 in	290 mm
Model 24H Height*		
Bed Surface Maximum	36 in	925 mm
Loading Height	31 in	780 mm
Bed Surface Minimum	11 in	290 mm

Note: The footrest adds 7 inches (178 mm) to the overall height.

3.3 Components (Models 24 and 24H)



4 - SETUP

4.1 Vehicle Information

The vehicle bumper extension should not exceed 14 inches (356 mm). The compartment should have a level floor large enough for the folded cot, and a compatible Ferno cot fastener installed.

⚠ WARNING

Attaching improper items to the cot can cause injury. Use only Ferno-approved items on the cot.

NOTICE

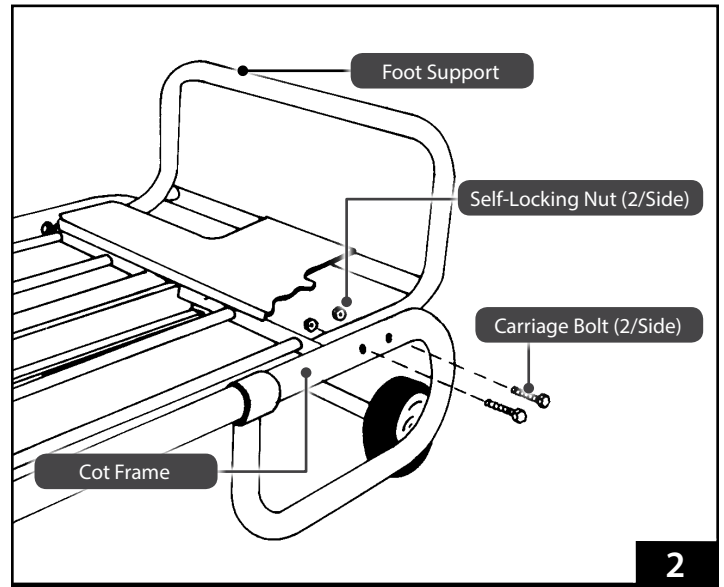
Loose items and debris on the vehicle floor can interfere with the operation of the cot with the fastening system. Keep the vehicle floor clear.

4.2 Installing the Foot Support

The foot support is shipped disassembled from the cot. To attach:

1. Orient the foot support facing up. (Figure 2). Align the pre-drilled holes in the foot support with those in the cot frame.
2. Insert the carriage bolts (provided) through the cot frame and foot support (Figure 2). Repeat on the opposite side of the cot.
3. If needed, use the rubber mallet to tap the carriage bolts until the flat underside surface of the carriage bolt head is flush against the main frame tube.
4. Apply the lock nuts and tighten. **Do not over-tighten.**

Component	Quantity
Foot support	1
1/4-20 x 2-1/4" Carriage Bolt	4
1/4-20 Lock Nut	4



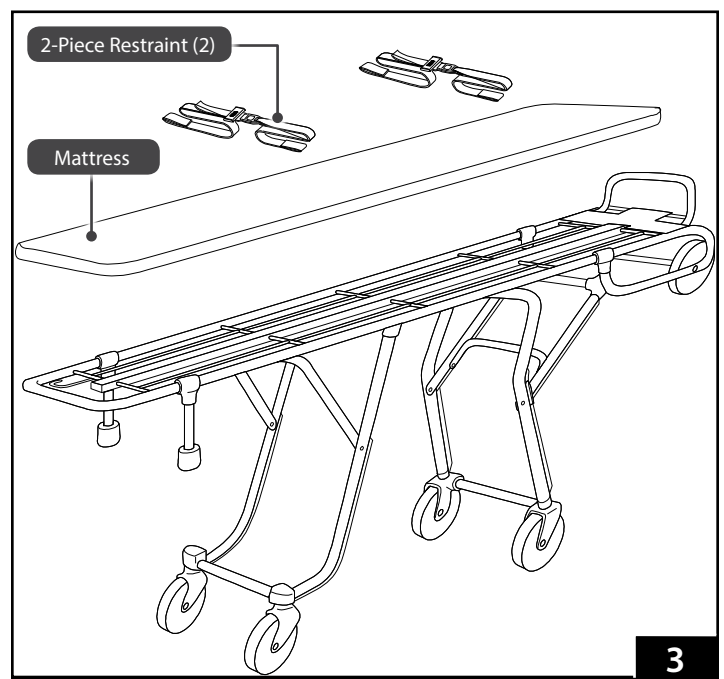
4.3 Mattress and Restraints

Before placing the cot in service, assign appropriate personnel to install the mattress and restraints (Figure 3).

MATTRESS: The mattress has four hook-and-loop straps attached to one side. To attach the mattress to the cot, lay the mattress on the cot with the hook-and-loop strips down. Fasten the straps around adjacent frame tubes. To remove, separate the hook and loop straps.

RESTRAINTS: A set of two, two-piece restraints is provided. Attach the restraints **only** to the cot main frame. Attach the restraints at points on the cot frame appropriate for securing torso and legs. Follow the instructions in the restraint users' manuals (supplied).

Keep restraint users' manuals with this manual for future reference. For additional, free manuals, contact Ferno Customer Service (page 2).



5 - USING THE COT

5.1 Before Placing the Cot in Service

- Before use, personnel who will work with the cot must read and understand this manual. Appropriate skills and training are also required. See "Operator Focus" on page 6.
- Set up the cot, following the instructions in "Setup" on page 10.
- Confirm that the cot operates properly. See "Inspecting the Cot" on page 18.
- The vehicle must have a Ferno® fastening system installed.

5.2 General Guidelines for Use

- A **minimum** of one trained operator is required.
- The cot can be operated and maneuvered by one operator if necessary, but operates and maneuvers more easily when controlled by two operators.
- Follow standard mortuary-service procedures when operating the cot.
- Stay with the cot at all times when a body is on the cot.
- **Always** use restraints to secure the body on the cot.
- Lift only the weight you can safely handle. Use additional help when working with heavy loads (body and equipment). For placement of helpers, see "Using Additional Help" on page 7.
- When changing cot positions or loading/unloading, verify that the leg has locked into the new position.
- If a fastening system is used in the vehicle, read the fastening system users' manual for instructions on using the fastening system.
- (Model 24H) Always roll the cot using a rolling position. Use the loading position(s) only when loading the cot into, or unloading it from, an vehicle.



WARNING

Improper operation can cause injury. Operate the cot only as described in this manual.

An unrestrained body can fall off the cot. Use restraints to secure the body on the cot.

Rolling the Model 24H cot in the loading position can cause it to tip. Use a rolling position when rolling the cot.

Rolling the cot sideways or in the loading position can cause it to tip and injure the operator(s). Roll the cot only in a level (Rolling) position and with the loading end or control end first.

5.3 Changing Cot Levels

To change cot levels with one trained operator, raise or lower the cot in stages. Raise or lower one end of the cot a small amount, then raise or lower the other end. Placing the cot at a severe angle could cause the body to slide off the cot.

LOWERING WITH ONE OPERATOR

1. **Beginning at the loading end of the cot**, grasp the main frame corners with an underhand grip (Figure 4).
2. Squeeze the loading-end leg control handle and lower the cot until it nears the desired height. Release the handle and continue lowering until the loading-end legs lock at the new position.
3. Move to the operator end of the cot. Grasp the main frame corners with an underhand grip (Figure 5).
4. Squeeze the operator-end leg control handle and lower the cot until it is nearly level, or one or two positions lower than the loading end. Release the handle and continue lowering until the operator-end legs lock at the new position.
5. Repeat Steps 1-4 until the cot is level and at the desired height.

RAISING WITH ONE OPERATOR

1. **Beginning at the operator-end of the cot**, grasp the main frame corners with an underhand grip (Figure 5).
2. Squeeze the operator-end leg control handle and raise the cot until it nears the desired height. Release the handle and continue raising until the operator-end legs lock at the new position.
3. Move to the loading end of the cot. Grasp the main frame corners with an underhand grip (Figure 4).
4. Squeeze the loading-end leg control handle and raise the cot until it is nearly level, or one or two positions higher than the operator end. Release the handle and continue raising until the loading-end legs lock at the new position.
5. Repeat Steps 1-4 until the cot is level and at the desired height.

LOWERING WITH TWO OPERATORS

1. Operators stand at opposite ends of the cot, facing each other. Grasp the main frame corners using an underhand grip.
2. **Loading-end Operator:** Squeeze the loading-end leg control handle and lower the cot until it nears the desired height. Release the control handle and continue lowering until the loading-end legs lock at the new position.
3. **Operator-end Operator:** Squeeze the operator-end leg control handle and lower the cot until it nears the desired height. Release the control handle and continue lowering until the operator-end legs lock at the new position.

RAISING WITH TWO OPERATORS

1. Operators stand or kneel at opposite ends of the cot, facing each other. Grasp the main frame corners using an underhand grip.
2. **Operator-end Operator:** Squeeze the operator-end leg control handle and raise the cot until it nears the desired height. Release the handle and continue raising until the operator-end legs lock at the new position.
3. **Loading-end Operator:** Squeeze the loading-end leg control handle and raise the cot until it nears the desired height. Release the handle and continues raising until the loading-end legs lock at the new position.

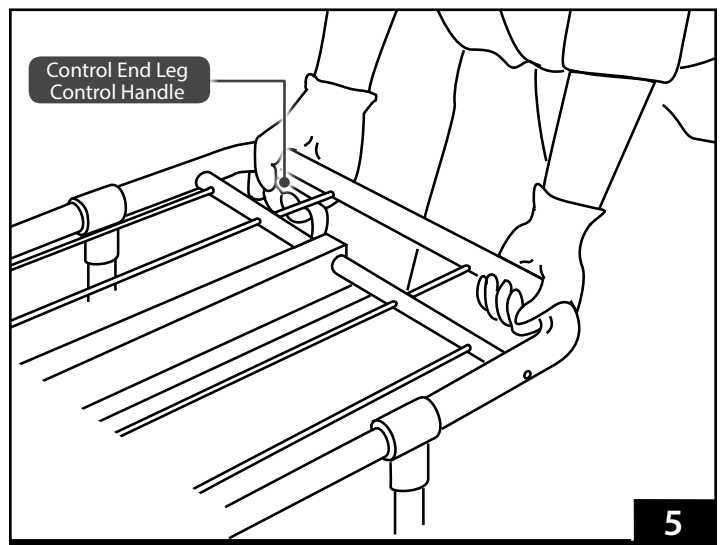
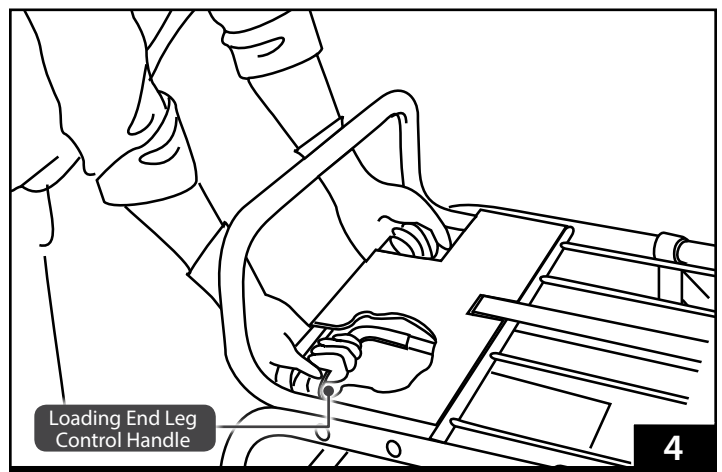
NOTICE

Operators should expect and be prepared to control the normal downward movement of the cot which occurs when a control handle is squeezed.

When a body is on the cot, adjust the cot level in stages. Placing the cot at a severe angle could cause the body to slide off the cot.

When lowering: lower the loading end of the cot first, before lowering the operator end.

When raising: Raise the operator end of the cot first, before raising the loading end.

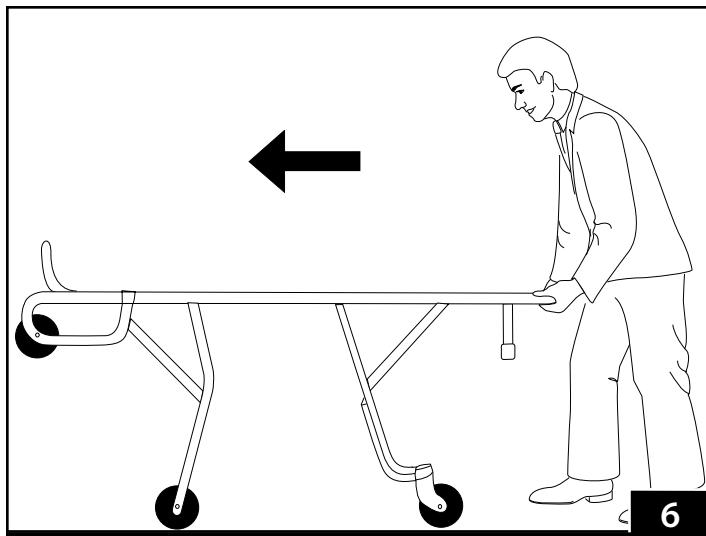


5.4 Transferring the Body to the Cot

1. Roll the cot as close to the body as possible.
2. Raise or lower the cot so it is level with the body.
3. Unfasten the restraints.
4. Place the body in a body pouch or use an accessory such as a transfer board to ease transferring the body onto the cot. See "Accessories" on page 21.

Note: Ferno recommends that you position the body with the head at the operator end of the cot, if possible. This orientation will place the body in a "heads up" position if you need to tilt the cot in a confined area.

5. Transfer the body onto cot and fasten the restraints. Cover the body with a cover if desired.
6. Raise the cot to the highest level position before rolling.



5.5 Rolling the Cot

GENERAL GUIDELINES

- Maintain control of the cot at all times.
- Rolling a Model 24H in the loading position can increase the chance for the cot to tip. Use only a rolling position to roll the cot.
- Roll the cot on smooth, unobstructed surfaces whenever possible.
- To cross a low obstacle such as door sills, lift the cot slightly to take the weight off the wheels so the wheels roll smoothly over the obstacle.
- Two or more operators/helpers lift and carry the cot over a high obstacle such as a curb. **Do not** apply downward force on one end of the cot in order to raise the other end of the cot.
- Use help as needed to safely control the weight of the body and cot. See "Using Additional Help" on page 7.
- When rolling over rough terrain, two operators are suggested. Operator(s) and helpers should grasp the cot with both hands.

ROLLING THE COT

1. Verify that the restraints are securely fastened around the body.
2. Raise the cot to the highest level position.
Model 24H: Do not use the loading position to roll the cot. Use a level position.
3. Grasp the main frame at the operator end of the cot and push and steer the cot (Figure 6).

If two or more operators or helpers are present, position helpers in pairs to maintain cot balance and control. See "Using Additional Help" on page 7 for recommended placement of operators and helpers.

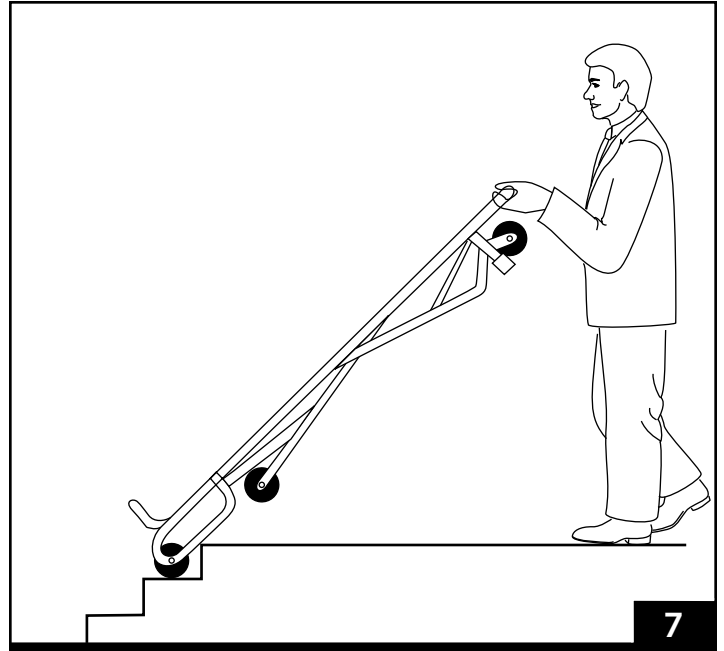
Note: Although the swivel wheels are only at the operator end, steering may be easier from the loading end, depending on circumstances. Follow your mortuary protocols.

5.6 Maneuvering the Cot In a Confined Area

The cot can be rolled in a tilted position for easier maneuvering in confined spaces such as narrow hallways, elevators, or stairways (Figure 7). **Maintain control of the cot at all times.**

To roll the cot in a tilted position:

1. Fasten and adjust the restraints to secure the body on the cot. Use additional restraints if necessary, following your mortuary protocols.
2. Lower the cot to the lowest position. Lower the loading end first, then the operator end, so the legs will lock into place in the configuration shown.
3. Stand at the operator end of the cot, grasp the main-frame and lift the cot onto its loading wheels and front transport wheels. Roll the cot in this position (Figure 7).
4. Use additional help as needed to lift, hold, and push the cot. See "Using Additional Help" on page 7.



5.7 Loading the Cot

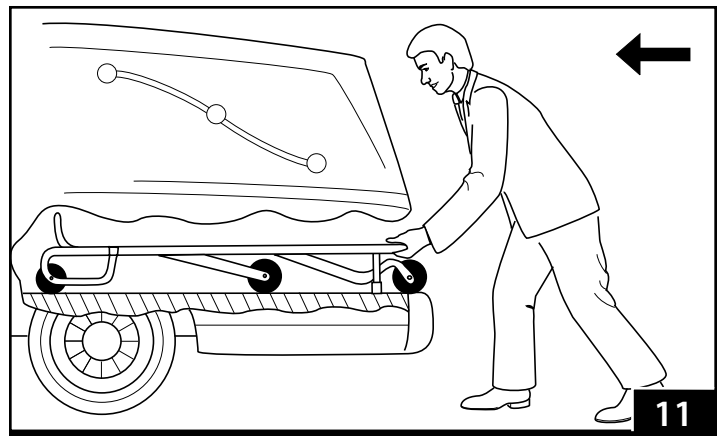
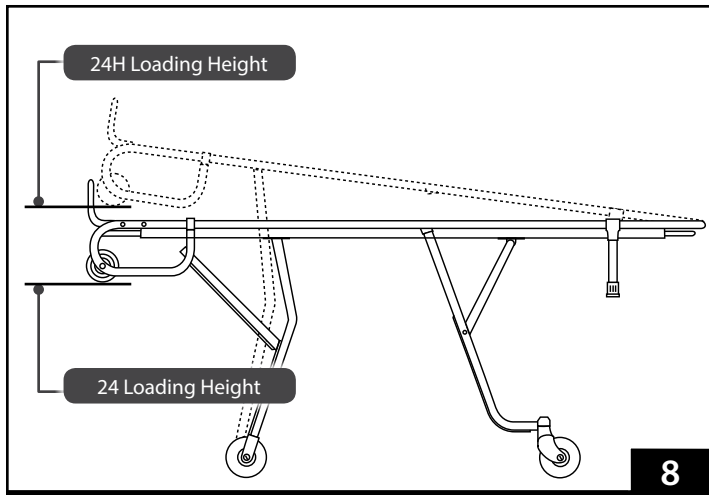
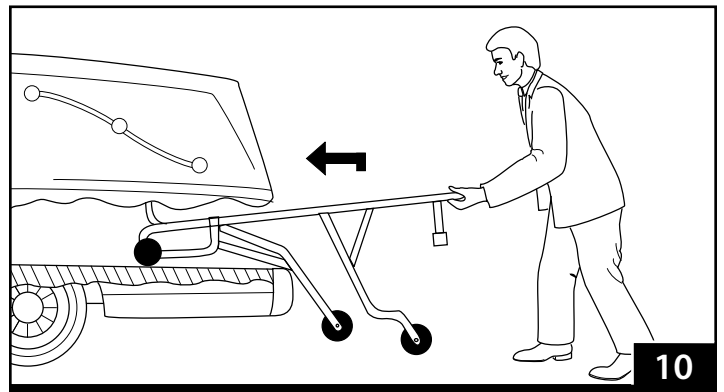
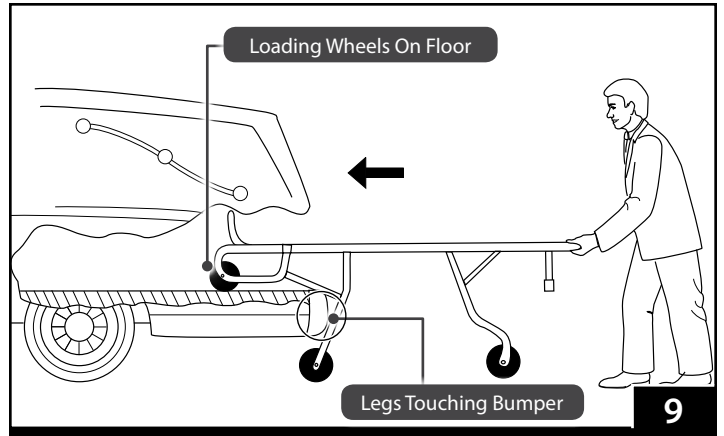
Use additional help as needed to load a cot into a vehicle when the cot is carrying a body. See "Using Additional Help" on page 7. Maintain control of the cot at all times.

To load the cot into a vehicle:

1. **Model 24H only:** After the cot has been rolled near the vehicle rear door, raise the loading end of the cot to the loading position (Figure 8).

Note: When in the loading position, the bed surface, the Model 24 cot is level, while the Model 24H cot is inclined.

2. Grasp the corners of the main frame with an underhand grip and roll both loading wheels onto the vehicle floor (Figure 9).
3. Push the cot into the vehicle until both loading-end legs contact the vehicle bumper (Figure 9).
4. While supporting the cot, squeeze and hold the operator-end leg control handle and push forward. Both legs will fold as the cot enters the vehicle (Figure 10).
5. Continue supporting the cot and push it completely inside the vehicle. Rest the operator end of the cot on the posts, then release the control handle (Figure 11).
6. If the cot must be repositioned, lift the operator end and move it. Do not drag the cot posts on the vehicle floor.
7. Secure the cot in the vehicle with a Ferno-approved cot fastener.



NOTICE

If the cot must be repositioned, lift the operator end and move it. Do not drag the cot posts on the vehicle floor. Dragging the cot can damage the loading posts.

5.8 Unloading the Cot

Use additional help as needed to unload a cot from a vehicle when the cot is carrying a body. See "Using Additional Help" on page 7. Maintain control of the cot at all times.

1. Disengage the cot fastener.
2. Grasp the corners of the cot main frame with an underhand grip and support the cot.
3. **Squeeze and hold** the operator-end leg control handle and begin pulling the cot from the vehicle.
4. Hold the cot high enough to allow the operator-end legs to unfold completely and lock into place. You may need to lift the operator end higher than normal when:
 - o the vehicle is on an incline.
 - o the cot is carrying an extremely heavy body. (This may compress the vehicle shocks, making the vehicle lower to the ground than normal.)
5. Release the control handle after the operator-end legs have locked into place. Set the operator-end transport wheels on the ground.
6. Before continuing to Step 7: keep the loading wheels inside the vehicle until you verify that the loading-end legs have locked.
7. Continue pulling the cot out of the vehicle until the loading-end legs unfold completely and lock into place (Figure 12).

To test if the loading-end legs have locked, attempt to push the cot inside the vehicle. If the loading-end legs fold, they are not locked.

If the vehicle is on an incline, you may need to lift the cot completely off the ground to provide clearance for the loading-end legs to unfold completely and lock into place. Use additional help if needed. See "Operator Height and Strength" and "Using Additional Help" on page 7.

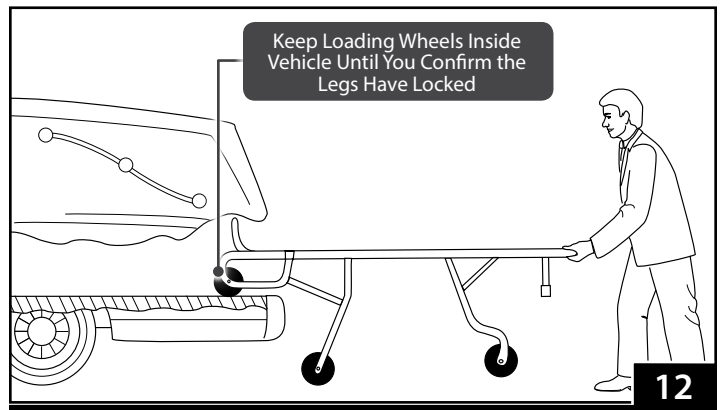
8. Lower the cot until all four transport wheels are on the ground.
9. Roll the cot out of the vehicle.
10. **Model 24H:** After the cot has been unloaded from the vehicle, lower the loading end of the cot to a level rolling position.

NOTICE

Always keep the loading wheels on the vehicle floor until both sets of legs have completely unfolded and locked into place.

The weight of an extremely heavy body may compress the vehicle shocks, lowering the vehicle and requiring the operator and helpers to lift the cot higher than normal in order to allow the legs to lock.

If the vehicle is parked facing downhill, you will need to hold the cot higher than normal to provide sufficient ground clearance for the legs to unfold completely and lock into place.



6 - MAINTENANCE

6.1 Maintenance Schedule

The cot requires regular maintenance. Set up and follow a maintenance schedule. The table at right represents minimum intervals for maintenance. Keep maintenance records. For a sample record sheet, see "Maintenance Record" on page 23.

When using maintenance products, follow the manufacturers' directions and read the manufacturers' material safety data sheets.

6.2 Disinfecting and Cleaning the Restraints

Remove the restraints from the cot. Disinfect and clean only as directed in the users' manuals provided with the restraints. Additional, free users' manuals can be obtained from Ferno. See "Ferno Customer Relations" on page 2.

6.3 Disinfecting and Cleaning the Mattress

Replace the mattress if it is ripped, punctured or damaged.

1. Remove the mattress from the cot.
2. **To disinfect:** Apply disinfectant to the mattress, following the disinfectant manufacturer's instructions for application method and contact time.
3. **To clean:** Wash the mattress with warm, soapy water and a soft cloth. Rinse the mattress with clear water. Hang the mattress to dry, or dry it with a towel.

6.4 Disinfecting the Cot

Wipe all surfaces with disinfectant. Follow the disinfectant manufacturer's instructions for application method and contact time. Ferno recommends you inspect the cot for damage as you disinfect it.

6.5 Cleaning the Cot

1. Remove the restraints and mattress from the cot.
2. Hand clean all surfaces of the cot with warm water and a mild detergent.
3. Rinse with warm, clear water. Dry the cot with a towel or allow it to air-dry.

6.6 Waxing the Cot

While it is not necessary to wax this cot, waxing the aluminum main frame or legs will not damage them, and will help maintain the cot's appearance.

Disinfect and clean the cot before applying wax. Use an automotive wax as directed by the wax manufacturer.



WARNING

Improper maintenance can cause injury. Maintain the cot only as described in this manual.

Minimum Maintenance	Each Use	As Needed	Monthly
Disinfecting (this page)	•		
Cleaning (this page)		•	
Waxing (this page)		•	
Inspecting (page 18)		•	•
Lubricating (page 18)		•	

NOTICE

Disinfectants and cleaners containing bleach, phenolics, or iodines can cause damage. Do not use products containing these chemicals.

Water under high pressure, or steam, can penetrate joints, flush away lubricant, and cause corrosion. Use caution when cleaning moving parts such as joints and hinges, and reapply lubricant if needed. See "Lubricating the Cot" on page 19.

Using abrasive cleaning compounds or applicators on the cot can cause damage. Do not use abrasive materials to clean the cot.

6.7 Inspecting the Cot

Have your service's equipment maintenance personnel inspect the cot regularly. Follow the checklist at right and operate the cot through all its functions as described in this manual.

If inspection shows damage or excessive wear, remove the cot from service until repair is made. See "Parts and Service" on page 20.

Inspection Checklist

- Are all components present?
- Is the cot free of excessive wear?
- Are all screws, nuts, bolts, rivets, and roll pins securely in place?
- Do all moving parts operate smoothly and properly?
- Does the cot lock properly into each position?
- Does the cot load and unload properly?
- Does the auxiliary lock function properly?
- Does the cot roll smoothly?
- Do the wheels have some tread?
- Are the restraints properly installed?
- Is restraint webbing in good condition with no cuts or frayed edges?
- Are restraint buckles free of visible damage and do they operate properly?
- Is the vehicle properly prepared for the cot with an approved Ferno fastening system installed?
- Is the mattress in good condition?

6.8 Lubricating the Cot

Disinfect and clean the cot before applying lubricant. Use the lubricants designated below to lubricate the cot. Do not lubricate points marked with the "do not lubricate" symbol.

LUBRICATION POINTS

- | | |
|------------------------------|---------------------------------------|
| 1. Undercarriage frame joint | SAE 30-weight oil or EZ-1 (1-2 drops) |
| 2. Control handle hinge | SAE 30-weight oil or EZ-1 (1-2 drops) |
| 3. I-beam* | SAE 30-weight oil or EZ-1 (1-2 drops) |

Note: The I-beam runs the length of the cot. To lubricate, tip the stretcher on end.

LUBRICATION-FREE ITEMS

- | | |
|---|------------------|
|  Wheel bearings (sealed) | Do not lubricate |
|---|------------------|

NOTICE

Lubricating parts that should not be lubricated allows dirt and foreign particles to collect on those parts, resulting in damage. Lubricate **only** the numbered reference points shown.

Tip

Applying Lubricant

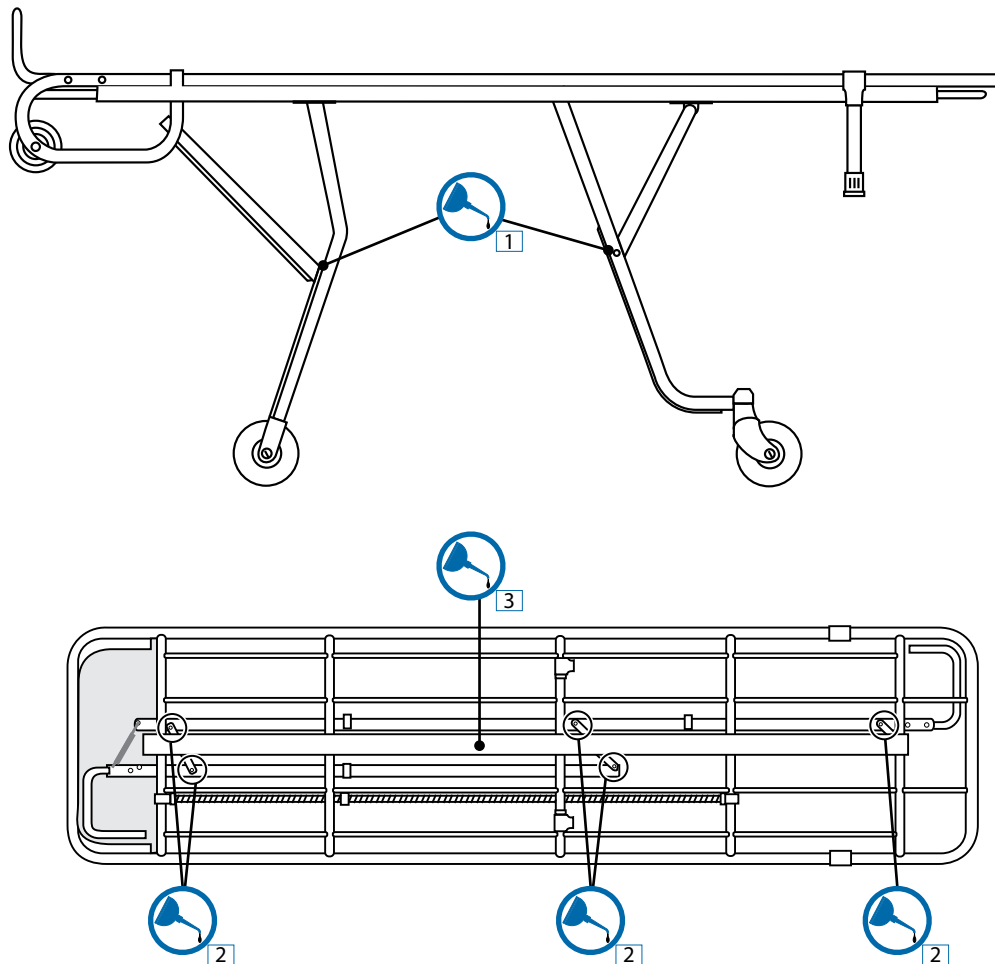
Use a small amount of lubricant (one or two drops). Lubricate identical points on each side of the cot. After applying lubricant, wipe off excess.



Do Not Lubricate



Lubricate



7 - PARTS AND SERVICE

7.1 U.S.A. and Canada

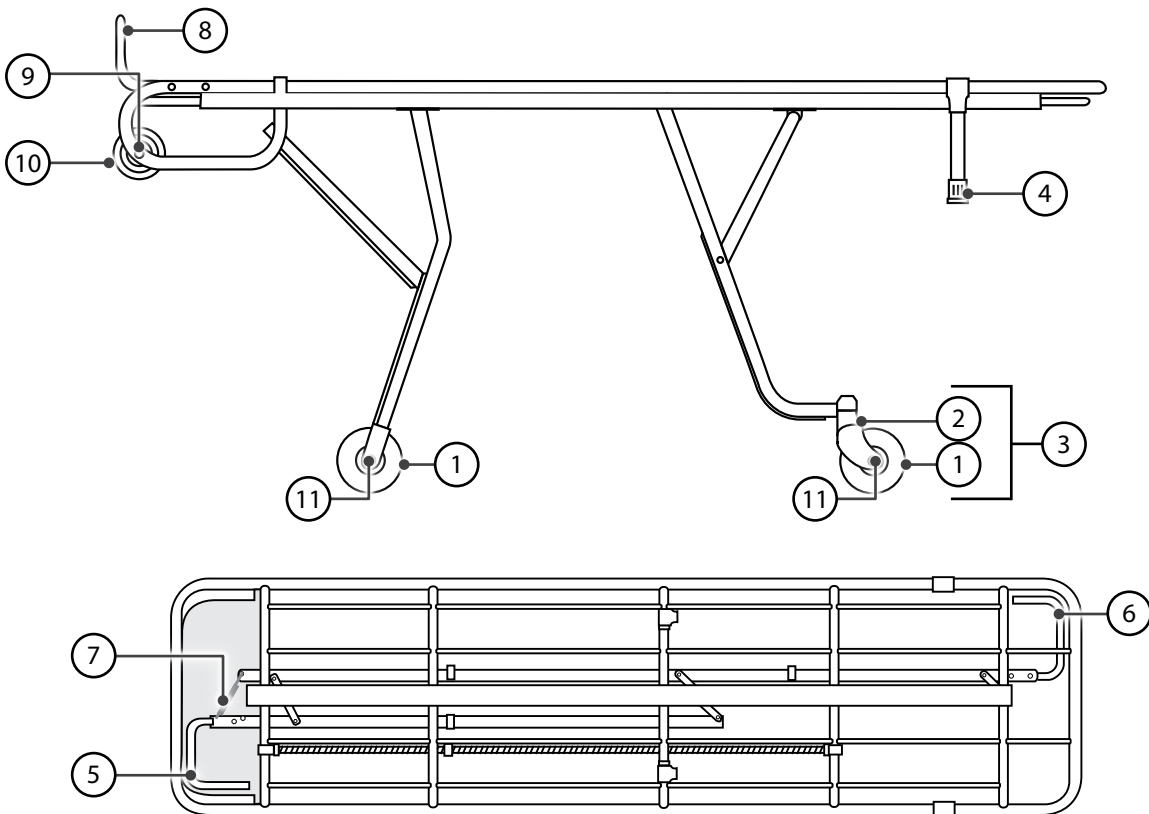
In the United States and Canada, to order parts or for professional repair, contact EMSAR® – the only agent authorized by Ferno to manage, service, and repair Ferno products.

Telephone (Toll-Free)	1.800.73.EMSAR
Telephone	1.937.383.1052
Fax	+1.937.383.1051
Internet	www.EMSAR.com

7.2 Worldwide

To order Ferno parts, and for professional repair, contact your Ferno distributor. Your distributor is the only agent authorized by Ferno to manage, service, and repair Ferno products.

7.3 Parts Diagrams



*n/s = not shown

⚠ WARNING

Improper parts and service can cause injury. Use only Ferno parts and Ferno-approved service on the cot.

Modifying the cot can cause injury and damage. Use the cot only as designed by Ferno.

PARTS LIST

No.	Description	Kit Number
1	5" wheel with 3/8" bearings, axle, bolt, and nut	090-0060
2	Wheel fork with bearings and shank pin (no wheel)	090-0070
3	5" swivel caster only	090-0080
n/s*	5" swivel caster with wheel lock assembly complete	090-0081
n/s	Wheel caster with wheel lock	190-1203
n/s	5/16" wheel bearing (pair)	090-4278
4	#20 crutch tip (pr.)/inserts	090-0560
5	Load-end control handle	090-0953
6	Operator end control handle	090-0954
7	Ratchet bar return spring	090-0983
8	Footrest assy w/hardware	090-3214
9	Loading-wheel axle with cover	190-1058
10	5" load wheel with sleeve, bearing	090-4054
11	Transport wheel axle bolt and nut	190-1027

8 - ACCESSORIES

Ferno offers a full line of accessories approved for use with the cot. Follow all instructions in accessory users' manuals. Keep the instructions with this manual.

When using accessories, be aware of any special considerations such as doorway heights and widths, or other factors which may be affected by the addition of the accessory/accessories to the cot.

Contact Ferno Customer Relations (page 2) or your Ferno distributor for product information.

ACCESSORIES LIST

Description	Part Number
Model 5 Cot Fastener	056-5000
Model 533 Wheel Cup (each)	081-5334
Model 534 Recessed Post Cup (pair)	081-5340
Model 535 Raised Post Cup (pair)	081-5350
Model 372 Mattress, burgundy	031-1360
Model 156 Roller System	056-3909
Restraints, Model 414-OL Over-the-Lap, burgundy	031-3090
Restraints, Model 414-OL Over-the-Lap, orange	031-2320
Restraints, Model 414-R Wrist, burgundy	031-3090
Restraints, Model 414-R Wrist, orange	031-2310
Restraints, Model 415-AR Ankle, burgundy	031-3089
Restraints, Model 415-AR Ankle, orange	031-2330
Side Lift Handles	082-1998
Telescoping Handles	008-7150
Transfer Board	010-7992

The following items are available in a variety of colors or materials. Call for options.

- Model 320 First Call Cover
- Model 321 First Call Cover
- Model 330 First Call Cover
- Model 335 First Call Pouch
- Model 335-R First Call Pouch



WARNING

Attaching improper items to the cot can cause injury. Use only Ferno-approved items on the cot.

Model 430 (Metal Buckle) Restraint

Style	Black	Orange
2 pc., 5' (1524 mm)	031-3892	031-3891
2 pc., 7' (2134 mm)	031-3911	031-3912
2 pc., 9' (2743 mm)	031-3305	031-4013
1 pc., 7' (2134 mm)	031-3910	031-3887
1 pc., 9' (2743 mm)	031-3899	031-3889

