



# WHELEN

## PRODUCT CATALOG

# ABOUT FERNO NORDEN

Ferno Norden is a leading provider of specialized equipment for prehospital care, industrial safety, rescue, and funeral services across the Nordic region. With decades of experience and a commitment to safety, quality, and innovation, our products are trusted by emergency services, defense forces, industrial operators, and healthcare providers. Our extensive offerings also include advisory services and customized installations for specialized vehicles.

Founded in 1979, Ferno Norden Group is headquartered in Norway, with sister companies in Sweden, Denmark, Finland and Iceland. Our network spans across the Nordics and beyond, leveraging both regional expertise and a global presence through Ferno International, represented in countries worldwide. This collaborative network enriches our knowledge base, allowing us to bring advanced solutions to our customers.

With a customer-centered approach, Ferno Norden has worked closely with clients to develop products that meet the highest standards in safety, functionality, and reliability. This approach has earned us a trusted reputation in the industry, as we continue to expand into industrial, public, and private sectors.

## TECH GLOSSARY

### **BroadBand Blue™**

BroadBand Blue delivers a higher intensity, creates a larger optical image, and produces a more consistent color, all while being easier on the eyes - especially at night.

### **Conformal Coating**

A thin material that conforms to the contours of the PCB to protect the electronic components from harsh environments and impact.

### **DUO™**

Two-color interleaved with independent control of color one and color two

### **DVI™ (Dynamic Variable Intensity™)**

DVI patterns gradually increase and decrease warning light intensity, which better conveys visual information to approaching motorists at night. These patterns clearly indicate when a vehicle is parked and improves a driver's ability to safely navigate around a work zone.

### **DYAD™**

Two-level technology

### **E Block™**

Whelen's patented E Block technology protects against the elements by creating a watertight seal around a unit's stranded wires, preventing moisture from entering the lighthouse.

### **Encapsulated**

Lighthouses are fully encapsulated for moisture and vibration resistance.

### **Hard-Coat**

Whelen's industry-first innovative Hard-Coating process counteracts the effects of environmental and chemical damages to our lenses and domes.

### **Linear-LED™ - (Super-LED™)**

Whelen's optimized use of the latest generation of LEDs and unique reflector optics to produce highly intense light that has superior wide-angle visibility and rivals strobe in performance.

### **Low Current**

Low current function wires require less than 0.25 amp to operate, allowing for simple operation of each lightbar function.

### **ProFocus™**

Whelen's innovative single optic LED technology that can be customized and programmed as a spotlight or floodlight, with no moving parts.

### **Proclera™ Silicone Optics**

Whelen's innovative and efficient solution to distorted optical shape and fringe lighting. Proclera Optics feature 100% internal silicone optic technology, an increased ability to harness LED output and better direct and focus light, and a fully-filled square TIR optic to increase optic efficiency compared to a conventional circular TIR.

### **Rota-Beam™**

Solid-state "rotating" technology, simulating the appearance of a rotating beacon without any moving parts or motors for long-life reliability.

### **Scan-Lock™**

Whelen's advanced method of changing a product's flash pattern. Scan-Lock utilizes an external wire to allow the user to cycle through the entire range of flash patterns, allowing for full customization.

### **Scan-Lock™+**

The Scan-Lock+ app is the simplest way to change Whelen flash patterns. Designed for optimal convenience, Scan-Lock+ features an easy to use interface and utilizes a Bluetooth connection. Download the Scan-Lock+ app and browse, test, and assign Whelen flash patterns right from your phone.

### **SmartLED™**

Whelen's distinctive use of self-contained electronics to power and flash a particular LED product. These products require no external flasher, ballast, or power supply to operate.

### **SOLO™**

Single-color LEDs

### **Split**

Two-color lighthead where each color fills half of the reflector

### **Standard Current**

Lightbar functions are wired directly to the switching device and require switches that are matched to the current draw of the desired functions to be activated.

### **Steady-Lock™**

A time-saving feature that allows Whelen's most popular warning lightheads to be set to Steady automatically when used with a CenCom Core™ system.

### **Super-LED™**

Whelen's innovative LED technology

### **Sync**

Sync provides the ability to connect multiple Whelen devices to flash together or in alternating patterns. Products with this capability allow the user to create coordinating flashing schemes.

### **TIR™ - (Total Internal Reflection)**

Whelen's optimized use of the latest generation of LEDs and unique reflector optics to produce highly intense light that can be directional in nature.

### **TRIO™**

Three-color interleaved with independent control of color one, color two, and color three

### **WeCad™**

Engineered for optimal accessibility, WeCad lightbar designer delivers the ability to design custom Whelen lightbars with every available option. Adding R65 compliant options is simple, and a bill of materials will be generated to make ordering fast and easy.

### **WeCan™**

Whelen's proprietary CAN-based communication system

### **WeCanX™**

Whelen's smartest and most powerful CAN-based communication system. WeCanX provides true system synchronization, greater speed capabilities, expanded peripheral add-ons, and full support of diagnostics.

# ICON LEGEND

2-Year Warranty	5-Year Warranty	10-Year Warranty	12 Volt	24 Volt	10-30 Volts	120 AC	30 Watt	100 Watt	200 Watt	2 Tones	IP67 Rated	CIA447	Real Time Diagnostics
AC Models UL Approved	ECE R10 Approved	ECE R148 Approved	Low Current Switching	Standard Current	SAE Class 1	Hard-Coated	Hands-Free	Sync	Scan-Lock™	Cruise	DVI™ Enabled	Steady-Lock®	WeCanX® Compatible
R65 Amber Class 1	R65 Blue Class 1	R65 Red Class 1	R65 Amber Class 2	R65 Blue Class 2	R65 Red Class 2								

# UNECE R65 Compliance Reference

	R65 Amber Class 1	R65 Amber Class 2	R65 Blue Class 1	R65 Blue Class 2	R65 Red Class 1	R65 Red Class 2
<b>LIGHTBARS</b>						
WeCanX® 2250		●		●		●
Edge® 9X Series		●		●		●
Legacy® Series	●			●		●
Liberty™ II Series	●			●		●
Justice® Series	●			●		
Freedom® IV Series		●		●		
Century™ Series	●		●			
<b>MINI LIGHTBARS</b>						
Mini Edge 9X Series		●		●		●
Mini Legacy Series	●			●		●
Mini Liberty II Series	●			●		
Mini Justice Series	●			●		
Mini Century Series			●			
<b>LIGHTHEADS</b>						
ION® SOLO™ Series	●			●		
ION DUO™ Series			●		●	
T-Series	●		●	●		●
Mini T-Series	●		●	●	●	●
ION V-Series™	●		●		●	
VXE™ Series	●		●		●	
Vertex™ Series	●		●			
M2 Series				●	●	
M4 Series		●		●		●
M6 Series		●		●		
M7 Series		●		●		●
<b>BEACONS</b>						
L31 Series				●		
L32 Series			●			
L41 Series	●			●		
R416 Series				●		

● = Coming Soon

# LIGHTBARS



# WeCanX<sup>®</sup> 2250 Series



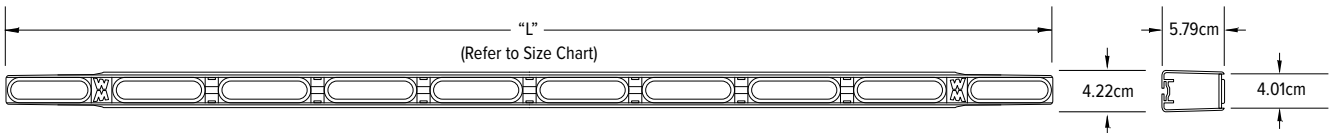
## FEATURES

- Utilizes powerful T-Series™ lighthead
- E Block™ technology prevents air and moisture from entering lighthead
- 3" slimmer than 4500 series
- Flush mount (slide bolt)
- 12/24 VDC
- Dynamic Variable Intensity™ (DVI™) light patterns
- Functionality configurable in Whelen Command®
- Lighthead configurations easily defined within Whelen's WeCad™ Software
- Choose between angled or flat end caps
- Hard-coated lenses resist environmental damage from sand, sun, salt, and road chemicals
- Consult WeCad™ for available options

## OPTIONS



## DIMENSIONS



"L" Size Chart (With Angled End Caps, Ordered Separately)

76.20cm	101.60cm	127cm	152.40cm	177.80cm	203.20cm
---------	----------	-------	----------	----------	----------

"L" Size Chart (With Flat End Caps, Ordered Separately)

55.88cm	81.28cm	106.68cm	132.08cm	157.48cm	182.88cm	208.28cm
---------	---------	----------	----------	----------	----------	----------

"L" Size Chart (With Angled & Flat End Caps, Ordered Separately)

63.50cm	88.90cm	114.30cm	139.70cm	165.10cm	190.50cm
---------	---------	----------	----------	----------	----------

LS7001-01	Whelen® WeCanX™ 2250 50" Angled, Blue/Amber, 12V, SAE	LS7001-04	Whelen® WeCanX™ 2250 62" Flat, Blue/Amber, 12V, SAE
LS7001-02	Whelen® WeCanX™ 2250 50" Flat, Blue/Amber, 12V, SAE	LS7001-05	Whelen® WeCanX™ 2250 70" Angled, Blue/Amber, 12V, SAE
LS7001-03	Whelen® WeCanX™ 2250 60" Angled, Blue/Amber, 12V, SAE	LS7001-06	Whelen® WeCanX™ 2250 70" Flat, Blue/Amber, 12V, SAE

# Edge® 9X Series



## FEATURES

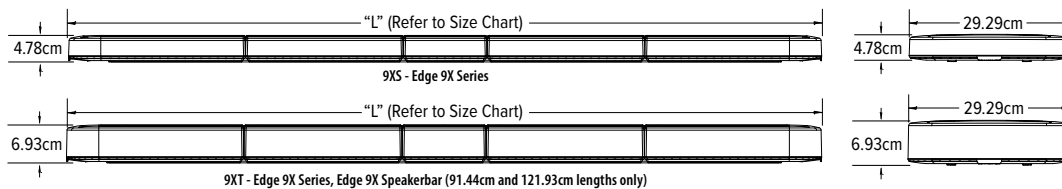
- Advanced thermal design reduces stress on LEDs during extended operation
- Molded polycarbonate Black tops provide protection from the elements
- 12/24 VDC
- Available in 2 profiles:
  - Short: 4.78cm H
  - Tall: 6.93cm H

- DUO™ Linear12™ LED, DUO Linear6™ LED Warning, and Scene Take-Down/Alley
- Photocell included
- Hard-coated lenses resist environmental damage from sand, sun, salt, and road chemicals
- Consult WeCad™ for available options

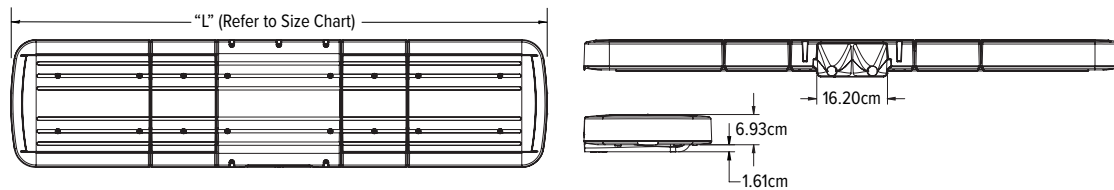
## OPTION



Translucent Color Tops



## DIMENSIONS



"L" Size Chart

63.50cm	78.74cm	91.44cm	109.22cm	121.93cm	137.16cm	149.86cm	167.64cm	177.80cm
---------	---------	---------	----------	----------	----------	----------	----------	----------

LS5080-05	Whelen Edge® 9XS DUO WeCanX 48", Amber/White, Fully populat	LS5080-23	Whelen Edge® 9XS DUO WeCanX 54", ECE, Blue/Amber, ONLY CORN
LS5080-06	Whelen Edge® 9XS DUO WeCanX 48", Blue/Amber, Fully populat	LS5080-24	Whelen Edge® 9XS DUO WeCanX 54", ECE, Blue/Amber, Fully pop
LS5080-07	Whelen Edge® 9XS DUO WeCanX 54", Amber/White, Fully populat	LS5080-25	Whelen Edge® 9XS DUO WeCanX 59", ECE, Blue/Amber, ONLY CORN
LS5080-08	Whelen Edge® 9XS DUO WeCanX 54", Blue/Amber, Fully populat	LS5080-26	Whelen Edge® 9XS DUO WeCanX 59", ECE, Blue/Amber, Fully pop
LS5080-09	Whelen Edge® 9XT DUO WeCanX 48", Amber/White, Fully populat	LS5080-27	Whelen Edge® 9XT DUO WeCanX 48", ECE, Blue/Amber, ONLY CORN
LS5080-10	Whelen Edge® 9XT DUO WeCanX 48", Blue/Amber, Fully populat	LS5080-28	Whelen Edge® 9XT DUO WeCanX 48", ECE, Blue/Amber, Fully pop
LS5080-11	Whelen Edge® 9XT DUO WeCanX 54", Amber/White, Fully populat	LS5080-29	Whelen Edge® 9XT DUO WeCanX 54", ECE, Blue/Amber, ONLY CORN
LS5080-12	Whelen Edge® 9XT DUO WeCanX 54", Blue/Amber, Fully populat	LS5080-30	Whelen Edge® 9XT DUO WeCanX 54", ECE, Blue/Amber, Fully pop
LS5080-13	Whelen Edge® 9XS DUO WeCanX 48", Blue/White, Fully populat	LS5080-31	Whelen Edge® 9XT DUO WeCanX 59", ECE, Blue/Amber, ONLY CORN
LS5080-14	Whelen Edge® 9XS DUO WeCanX 54", Blue/White, Fully populat	LS5080-32	Whelen Edge® 9XT DUO WeCanX 59", ECE, Blue/Amber, Fully pop
LS5080-15	Whelen Edge® 9XT DUO WeCanX 48", Blue/White, Fully populat	LS5080-33	Whelen Edge® 9XS DUO WeCanX 48", ECE, Blue/White, ONLY CORN
LS5080-16	Whelen Edge® 9XT DUO WeCanX 54", Blue/White, Fully populat	LS5080-34	Whelen Edge® 9XS DUO WeCanX 48", ECE, Blue/White, Fully populat
LS5080-17	Whelen Edge® 9XS DUO WeCanX 59", Amber/White, Fully populat	LS5080-35	Whelen Edge® 9XS DUO WeCanX 54", ECE, Blue/White, ONLY CORN
LS5080-18	Whelen Edge® 9XS DUO WeCanX 59", Blue/White, Fully populat	LS5080-36	Whelen Edge® 9XS DUO WeCanX 54", ECE, Blue/White, Fully populat
LS5080-19	Whelen Edge® 9XT DUO WeCanX 59", Amber/White, Fully populat	LS5080-37	Whelen Edge® 9XT DUO WeCanX 48", ECE, Blue/White, ONLY CORN
LS5080-20	Whelen Edge® 9XT DUO WeCanX 59", Blue/White, Fully populat	LS5080-38	Whelen Edge® 9XT DUO WeCanX 48", ECE, Blue/White, Fully populat
LS5080-21	Whelen Edge® 9XS DUO WeCanX 48", ECE, Blue/Amber, ONLY CORN	LS5080-39	Whelen Edge® 9XT DUO WeCanX 54", ECE, Blue/White, ONLY CORN
LS5080-22	Whelen Edge® 9XS DUO WeCanX 48", ECE, Blue/Amber, Fully pop	LS5080-40	Whelen Edge® 9XT DUO WeCanX 54", ECE, Blue/White, Fully populat

# Edge® 9X Speaker Bar



## FEATURES

- Includes a 100-watt SAE Class 1 siren, compatible with any Whelen siren amplifier
- Advanced thermal design reduces stress on LEDs during extended operation
- Molded polycarbonate Black tops provide protection from the elements
- DUO™ Linear12™ LED, DUO Linear6™ LED Warning, and Scene Take-Down/Alley
- 12/24 VDC
- Photocell included
- Hard-coated lenses resist environmental damage from sand, sun, salt, and road chemicals
- Speaker option only available in Tall (9XT) models in 91.44cm and 121.92cm lengths
- Includes a 100-watt SAE Class One siren speaker
- Consult WeCad™ for available options

LS5080-41 Whelen Edge® 9XT DUO WCX 48" w/Speaker, Blue/Amber, Fully populate

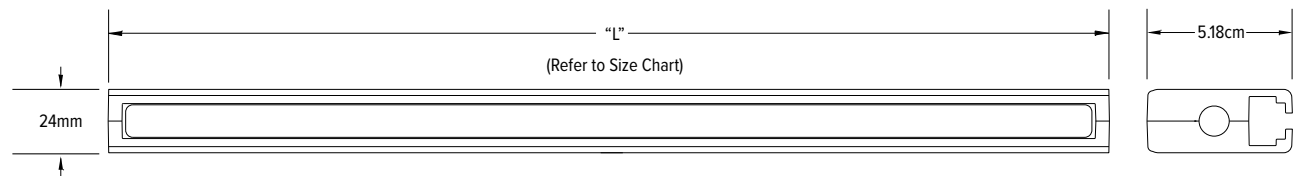
# Tracer™ WeCanX®



## FEATURES

- Mounts easily via slide bolt with vehicle-specific brackets, universal "L" brackets, or under lightbar brackets
- Vehicle-to-Vehicle synchronization
- Whelen Command® programming allows:
  - Full configurability of Traffic Advisor™ functionality
  - Adjustable intensity levels of cruise light control
- Dynamic Variable Intensity™ (DVI™) light patterns
- Hard-coated lenses resist environmental damage from sand, sun, salt, and road chemicals

## DIMENSIONS

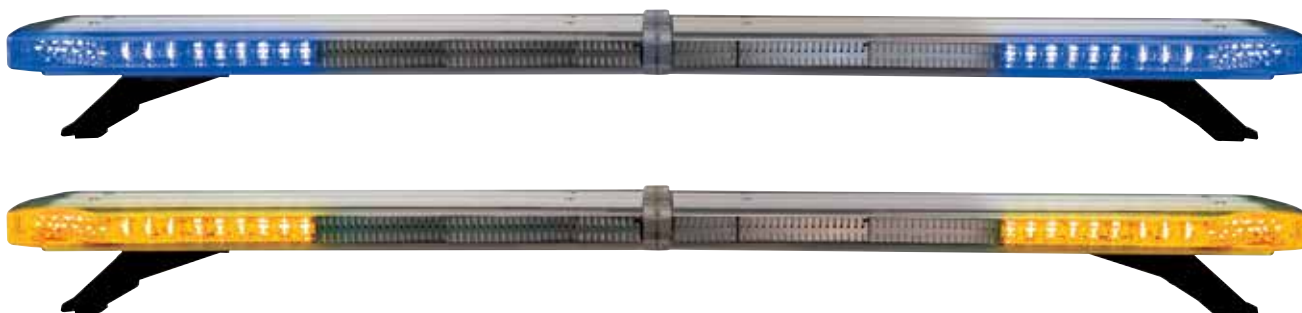


"L" Size Chart

35.05cm 1-lamp	66.45cm 2-lamp	97.87cm 3-lamp	129.29cm 4-lamp	160.68cm 5-lamp	192.07cm 6-lamp
-------------------	-------------------	-------------------	--------------------	--------------------	--------------------

LS7001-01	Whelen® WeCanX™ 2250 50" Angled, Blue/Amber, 12V, SAE	LS7001-04	Whelen® WeCanX™ 2250 62" Flat, Blue/Amber, 12V, SAE
LS7001-02	Whelen® WeCanX™ 2250 50" Flat, Blue/Amber, 12V, SAE	LS7001-05	Whelen® WeCanX™ 2250 70" Angled, Blue/Amber, 12V, SAE
LS7001-03	Whelen® WeCanX™ 2250 60" Angled, Blue/Amber, 12V, SAE	LS7001-06	Whelen® WeCanX™ 2250 70" Flat, Blue/Amber, 12V, SAE

# Legacy® Series



## FEATURES

- Advanced thermal design improves LED performance during extended operation
- Aluminum top repels hail and other environmental damages
- Center dividers with liquid injection molded seals protect internal components from water infiltration
- One-piece uni-dome construction with a single sealing point assures lightbar integrity in all weather conditions
- Proclera® Silicone Optics (available in Take-Down lights)
- Hard-coated lenses resist environmental damage from sand, sun, salt, and road chemicals
- Clear or Smoked domes available
- Consult WeCad™ for available options

## OPTIONS



Alley Light



3-LED Take-Down



6-LED Take-Down

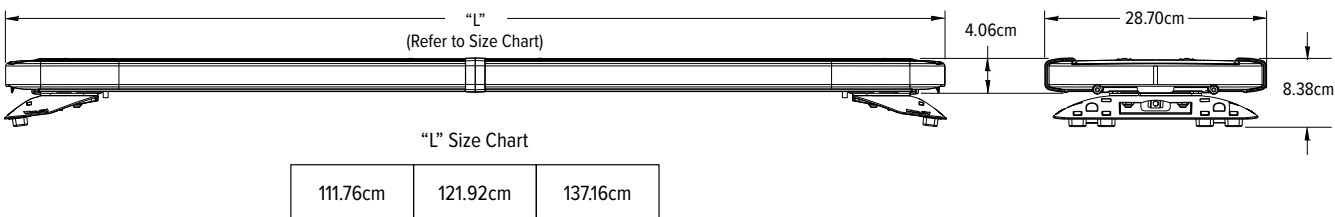


Color Tops



Midnight Edition

## DIMENSIONS



LS5061-01	Legacy Solo 12V Blue 48"
LS5061-03	Legacy Solo 12V Amber 54"
LS5090-01	Whelen Legacy WeCanX DUO 54", Blue/White, fully populated



# Justice® Series



## FEATURES

- Advanced thermal design reduces stress on LEDs during extended operation
- Extruded aluminum platform and polycarbonate base
- Hard-coated domes resist environmental damage from sand, sun, salt, and road chemicals
- Each model has 1 or 2 sealing points, ensuring lightbar integrity in all weather conditions
- Easily upgraded or serviced in the field
- Clear, Smoked, or Color domes available
- Consult WeCad™ for available options

## OPTIONS



CON3™ Module with Spreader Optics



Full LIN6™



Take-Down

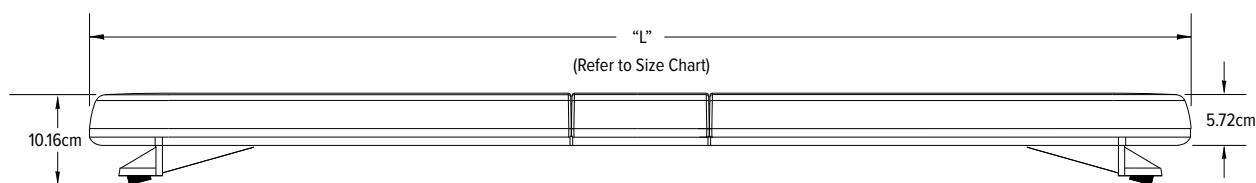


Alley Light



Work Light

## DIMENSIONS



“L” Size Chart

111.76cm	127cm	142.24cm	157.48cm
----------	-------	----------	----------

LS5022-09	Varsellys, Whelen Justice JE 4 LED, 112 cm, 12V, Gul/Klar	LS5022-24	Whelen Justice CS 50"14 LED Gul ECE R65
LS5022-10	Varsellys, Whelen Justice JE 4 LED, 127 cm, 12V, Gul/Klar	LS5022-26	Whelen Justice WCX DUO 56" 8 LED, Blå/Gul
LS5022-11	Varsellys, Whelen Justice JE 4 LED, 143 cm, 12V, Gul/Klar	LSASSY045	Justice 44" Blue ECE65 12V
LS5022-15	Whelen® Justice® CS 6led 56" A/A/A/A	LSASSY046	Justice 50" Blue ECE65 12V
LS5022-16	Whelen® Justice® CS 6led 50" A/A/A/A	LSASSY047	Justice 56" Blue ECE65 12V
LS5022-23	Whelen Justice CS 50", 14 LED, Blå, ECE R65		

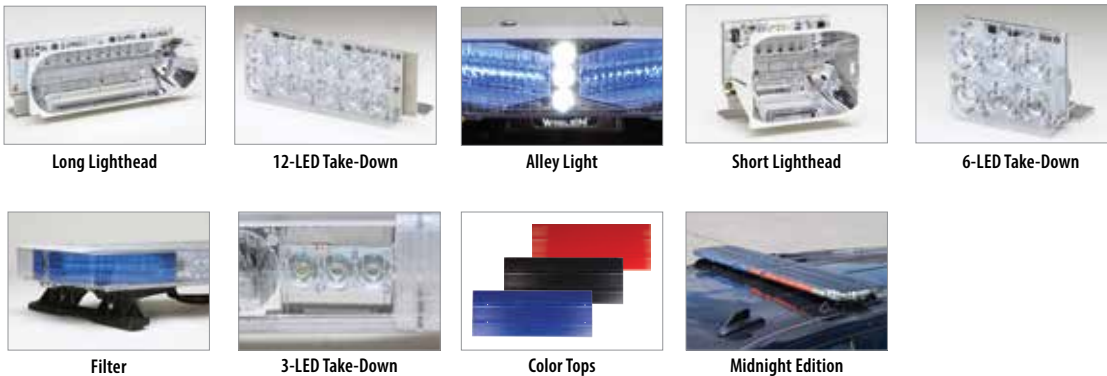
# Liberty™ II Series



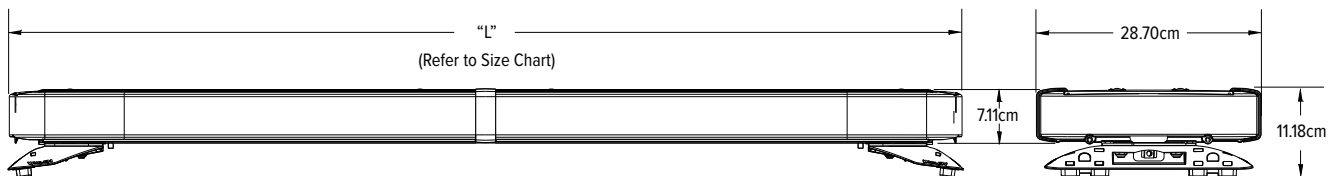
## FEATURES

- Advanced thermal design reduces stress on LEDs during extended operation
- Aluminum top repels hail and other environmental damages
- Center dividers with liquid injection molded seals protect internal components from water infiltration
- One-piece uni-dome construction with a single sealing point assures lightbar integrity in all weather conditions
- Proclera® Silicone Optics (available in Take-Down lights)
- Hard-coated lenses resist environmental damage from sand, sun, salt, and road chemicals
- Clear, Smoked, or Color domes available
- Consult WeCad™ for available options

## OPTIONS



## DIMENSIONS



"L" Size Chart

111.76cm	121.92cm	137.16cm
----------	----------	----------

LS5040-02	Whelen® Liberty II 48 WC amber + WCCP + 4 long + 4 short	LS5040-12	Whelen® LibertyII™ DUO WeCanX 54" Blue/Amber, SAE/ECE, Fully populated
LS5040-03	Whelen® Liberty II 54 WC amber + WCCP + 4 long + 4 short	LS5040-13	Whelen® LibertyII™ SOLO WeCanX 54" Blue, SAE/ECE, Fully populated
LS5040-10	Whelen® LibertyII™ DUO WeCanX 48" Blue/Amber, SAE/ECE, Fully populated	LS5040-14	Whelen® LibertyII™ DUO WeCanX 59" Blue/Amber, SAE/ECE, Fully populated
LS5040-11	Whelen® LibertyII™ SOLO WeCanX 48" Blue, SAE/ECE, Fully populated	LS5040-15	Whelen® LibertyII™ SOLO WeCanX 59" Blue, SAE/ECE, Fully populated

# Freedom® IV Series

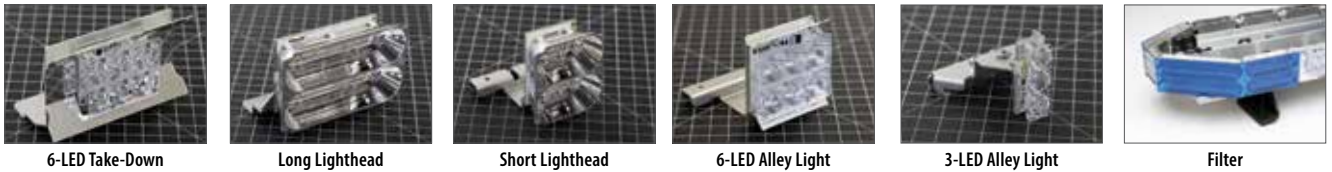


## FEATURES

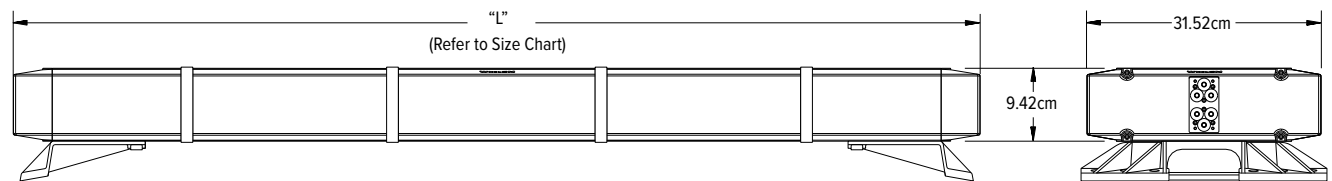
- Linear Super-LED® technology
- Advanced thermal design reduces stress on LEDs during extended operation
- Aluminum top repels hail and other environmental damages
- Center dividers with liquid injection molded seals protect internal components from water infiltration

- One-piece uni-dome construction with a single sealing point assures lightbar integrity in all weather conditions
- Hard-coated lenses resist environmental damage from sand, sun, salt, and road chemicals
- Clear, Smoked, or Color domes available
- Consult WeCad™ for available options

## OPTIONS



## DIMENSIONS

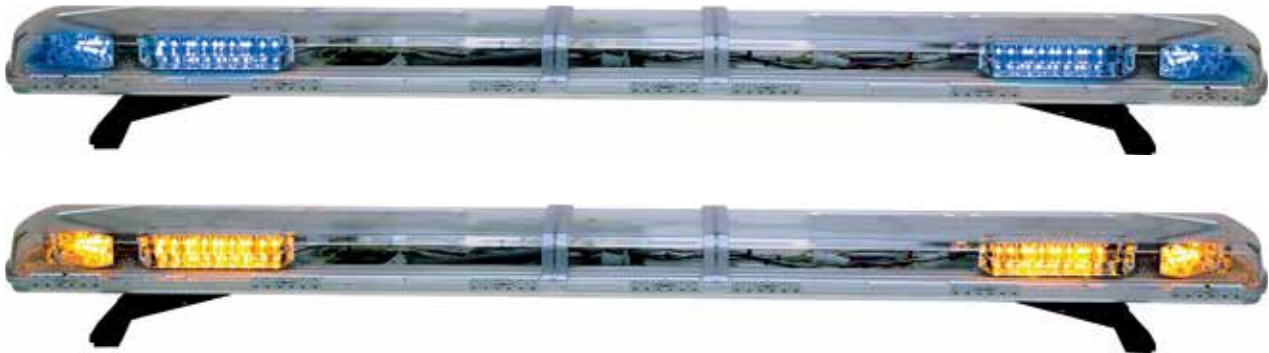


“L” Size Chart

113.03cm	125.15cm	139.95cm	152.15cm	179.07cm	193.80cm	205.99cm	247.85cm
----------	----------	----------	----------	----------	----------	----------	----------

LS5070-21	Whelen® Freedom IV™ SOLO WeCanX 49" Blue, SAE/ECE, Fully populated	LS5070-23	Whelen® Freedom IV™ SOLO WeCanX 72" Blue, SAE/ECE, Full Front
LS5070-22	Whelen® Freedom IV™ SOLO WeCanX 55" Blue, SAE/ECE, Fully populated		

# Century™ Series



## FEATURES

- Compression fit gaskets for superior moisture resistance
- Extruded aluminum platform and polycarbonate domes
- Hard-coated domes resist environmental damage from sand, sun, salt, and road chemicals
- Clip-Lock™ system allows easy access to lightbar for service or upgrade
- Consult WeCad™ for available options

## OPTIONS



LIN6™ Lighthouse

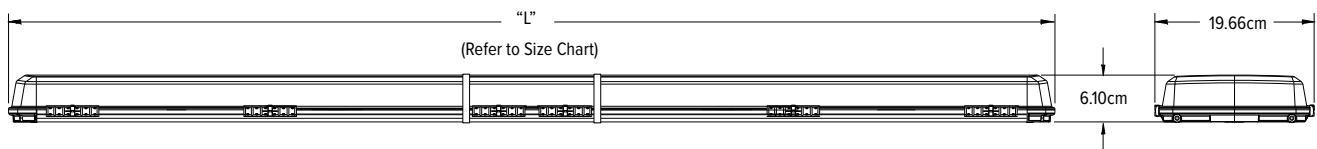


Alley Light



Take-Down

## DIMENSIONS



“L” Size Chart

111.76cm	127.76cm
----------	----------

LS9000-01	Whelen® Century™ System 44" Blue	LS9000-03	Whelen® Century™ 44" Amber, SAE
LS9000-02	Whelen® Century™ System 50" Blue	LS9000-04	Whelen® Century™ 50" Amber, SAE



# MINI LIGHTBARS



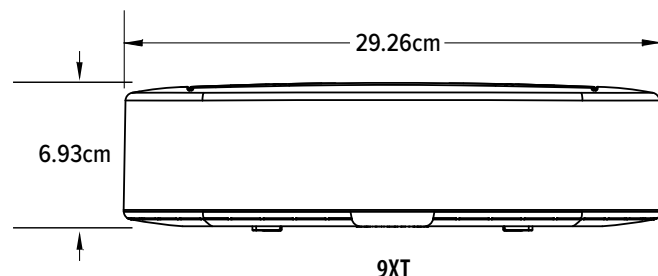
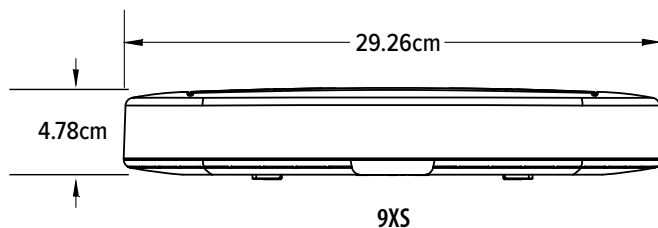
# Mini Edge® 9X Series



## FEATURES

- Advanced thermal design reduces stress on LEDs during extended operation
- Molded polycarbonate Black tops provide protection from the elements
- Available in 2 profiles:
  - Short: 4.78cm H
  - Tall: 6.93cm H
- DUO™ Linear12™ LED, DUO Linear6™ LED Warning, and Scene Take-Down/Alley
- Photocell included
- Hard-coated lenses resist environmental damage from sand, sun, salt, and road chemicals
- Consult WeCad™ for available options

## DIMENSIONS



LS5080-50	Whelen Edge® 9XS DUO WCX 25" SAE Mini Lightbar, Blue/Amber, Fully populate	LS5080-52	Whelen Edge® 9XT DUO WCX 25" SAE Mini Lightbar, Blue/Amber, Fully populate
LS5080-51	Whelen Edge® 9XS DUO WCX 31" SAE Mini Lightbar, Blue/Amber, Fully populate	LS5080-53	Whelen Edge® 9XT DUO WCX 31" SAE Mini Lightbar, Blue/Amber, Fully populate

# Mini Justice® Series



## FEATURES

- Advanced thermal design reduces stress on LEDs during extended operation
- Extruded aluminum platform and polycarbonate base
- Hard-coated domes resist environmental damage from sand, sun, salt, and road chemicals
- Easily upgraded or serviced in the field
- Clear, Smoked, or Color domes available
- Magnetic and magnetic/suction mount supplied with 3m cord and cigar plug with built-in On/Off switch and Scan-Lock™ flash pattern control switch
- Consult WeCad™ for available options

## OPTIONS



CON3™ Module with Spreader Optics



Full LIN6™



Work Light

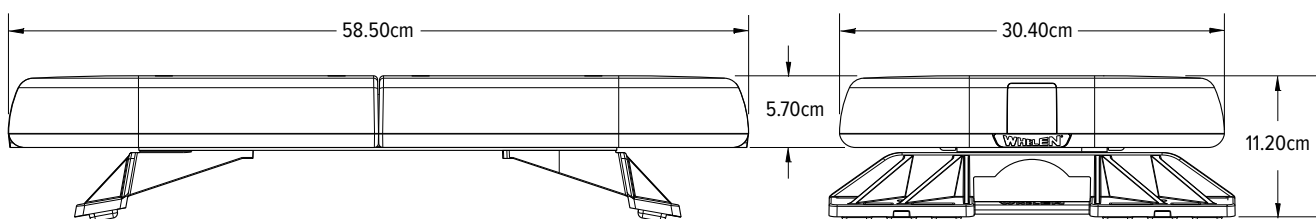


Take-Down



Alley Light

## DIMENSIONS



LS5019-01	Whelen® Mini-Justice®, Gul/Klar, Permanent montering, 12V	LS5019-06	Whelen® Mini-Justice, Magnet, Amber/Clear, 12V, ECE
LS5019-02	Whelen® Mini Justice®, Blå/Klar, Permanent montering, 12V	LS5019-07	Whelen® Mini-Justice, Suction, Amber/Clear, 12V, ECE
LS5019-05	Whelen® Mini-Justice, Permanent, Amber/Clear, 12V, ECE	LS5019-08	Whelen® Mini Justice®, Blue/Clear, Magnetic/Suction Mount, 1



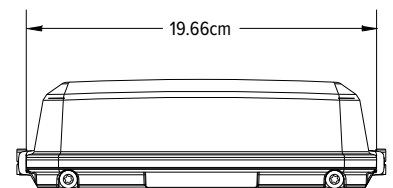
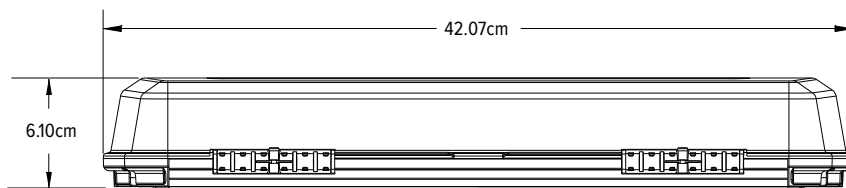
# Mini Century™ Series



## FEATURES

- Hard-coated domes resist environmental damage from sand, sun, salt, and road chemicals
- Extruded aluminum base
- Low profile with compression fit gasket for superior moisture resistance
- Clip-Lock™ system allows easy access to lightbar for service or upgrade
- Magnetic mount includes 40.8kg pull magnets
- Magnetic and magnetic/suction mounts supplied with 3m cord and cigar plug with built-in On/Off switch and Scan-Lock™ flash pattern control switch
- Consult WeCad™ for available options

## DIMENSIONS



LS5020-01	Whelen® Mini Century 16" Amb/Amb Perm 12V	LS5020-04	Whelen® Mini Century 16" Blue/Blue Perm 12V
LS5020-02	Whelen® Mini Century 16" Amb/Clr Perm 12V	LS5020-05	Whelen® Mini Century 16" Amb/Clr Magnetic/Suction 12V
LS5020-03	Whelen® Mini Century 16" Amb/Clr magnet 12V		

# LIGHTHEADS



## ION® Series

- SOLO:** 10YR 12 24 R10 HARD COAT SYNC SCAN LOCK STEADY LOCK R65 CLASS 1 R65 CLASS 2
- DUO:** 10YR 12 R10 HARD COAT SYNC SCAN LOCK STEADY LOCK R65 CLASS 1 R65 CLASS 1
- TRIO:** 10YR 12 R10 HARD COAT SYNC SCAN LOCK STEADY LOCK



SOLO™



DUO™



TRIO™

## FEATURES

- Universal or surface mounts available
- Universal mount includes Black or White bail/swivel bracket, rubber grommet, and Black or White pedestal mount
- Surface mount includes Black (default), White, or Chrome flange
- Up to 69 Scan-Lock flash patterns, including steady burn

## OPTION

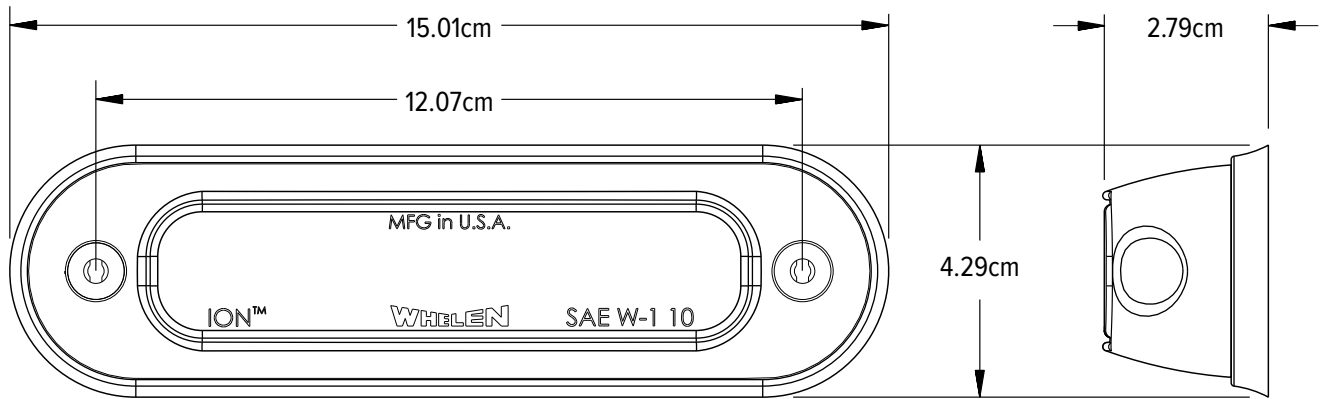


ION SFB

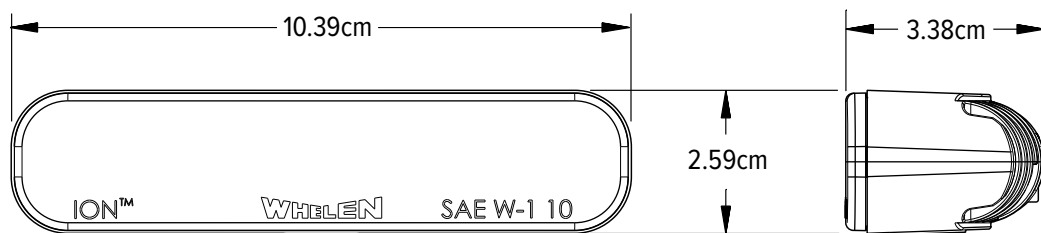


LS1037-510

## DIMENSIONS



ION Surface Mount



ION Universal Mount

LS1037-01	Varsellys, Whelen ION Super LED, 12V, Gul	LS1037-512	Feste holder, Whelen Covert Curved, ION, Blå, R65
LS1037-02	Whelen® ION™ Super-LED®, Blå, 12V	LS1037-513	Feste holder, Whelen, ION, Blå, R65
LS1037-03	Whelen® ION™ Super-LED®, Rød, 12V	LS1037-SDBW2	Whelen® ION™ DUO™, Hvit/Blå, 12V, SAE
LS1037-04	Whelen® ION™ Super-LED®, Hvitt, 12V	LS1037-SSB2X	Whelen® ION Smoked Super-LED, Blå, 12V
LS1037-05	Varsellys, Whelen ION Super LED, 12V, Gul	LS1037-STBAW2	Varsellys, Whelen ION TRIO, 12V, SAE, Blå/Gul/Klar
LS1037-06	Varsellys, Whelen ION Super LED, 24V, Gul	LS1037-STRBW2	Whelen® ION™ TRIO™, Rød/Blå/Hvitt, 12V, SAE
LS1037-07	Whelen® ION Super-LED Blå ECE 12V	LS1043-01	Varsellys, Whelen ION Surface mount, 12V, SAE, Gul
LS1037-08	Varsellys, Whelen ION Super LED, 24V, Blå, ECE	LS1043-02	Varsellys, Whelen ION Surface mount, 12V, SAE, Blå
LS1037-09	Whelen® ION™ DUO™, Rød/Blå, 12V, ECE	LS1043-03	ION™ SURFACE MOUNT Super LED, 12V, RØD, SAE
LS1037-10	Whelen® ION™ DUO™, Hvitt/Blå, 12V, ECE	LS1043-05	Varsellys, Whelen ION Surface mount, 12V, ECE, Gul
LS1037-11	Varsellys, ION™ V-Serie™ Super LED, 12V, Gul, ECE65	LS1043-06	Varsellys, Whelen ION Surface mount, 24V, ECE, Gul
LS1037-43	Whelen® ION™ DUO™, Blå/Gul, 12V, SAE	LS1043-07	Varsellys, Whelen ION Surface mount, 12V, ECE, Blå
LS1037-44	Whelen® ION™ DUO™, Rød/Hvitt, 12V, SAE	LS1043-08	Varsellys, Whelen ION Surface mount, 24V, Blå, ECE
LS1037-508	Feste holder, Whelen Covert Curved, ION, Blå	LS1043-09	Varsellys, Whelen ION Surface Mount DUO, 12V, SAE, Gul/Blå
LS1037-509	Feste holder, Whelen Covert Curved, ION, Gul	LS1043-10	Whelen® ION Surface Mount TRIO R/B/A, 12V
LS1037-510	Feste holder, Whelen ION, Blå	LS1043-13	Whelen® ION Surface Mount DUO Blue/White SAE, 12V
LS1037-511	Feste holder, Whelen ION, Gul		

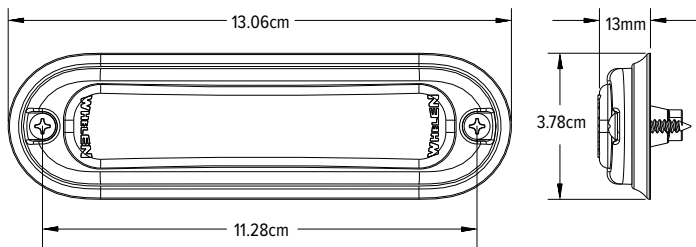
# T-Series™



## FEATURES

- Linear Super-LED® optics
- SOLO™ models available in single- or split-colors
- Hard-coated lenses resist environmental damage from sand, sun, salt, and road chemicals
- Smoked lenses available
- Easily mounts to surface via 2 screws
- Black flange included
- Up to 33 Scan-Lock™ flash patterns, including steady burn (ECE models may differ)

## DIMENSIONS



LS1051-01	Varsellys, Whelen TL-ION Super-LED, 12V, SAE, Gul	LS1051-12	Whelen, DUO TL-ION Super-LED Gul/blå SAE 12V
LS1051-02	Whelen TL-ION Super-LED Blue/Clear SAE 12V	LS1051-13	Whelen, DUO TL-ION Super-LED Blå/Hvit SAE 12V
LS1051-02X	TL-ION Super-LED Blue/Clear SAE 12V smoked	LS1051-14	Whelen, DUO TL-ION Super-LED Blå/Gul 12V ECE
LS1051-04	TL-ION Super-LED Hvit/Klar linse SAE 12V	LS1051-15	Whelen, DUO TL-ION Super-LED Blå/Röd 12V ECE (par)
LS1051-05	TL-ION Super-LED Blue ECE 12V		

# Mega T-Series™



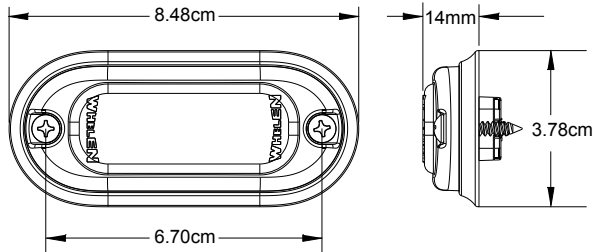
# Mini T-Series



## FEATURES

- Linear Super-LED® optics
- Hard-coated lenses resist environmental damage from sand, sun, salt, and road chemicals
- Easily mounts to surface via 2 screws
- Smoked lenses available
- Black flange included
- Meets Class 2 Certification in Red and Blue when sold in pairs
- SOLO/Split/DUO: 33 Scan-Lock flash patterns, including steady burn (ECE models may differ)
- TRIO: 32 Scan-Lock flash patterns, including steady burn

## DIMENSIONS

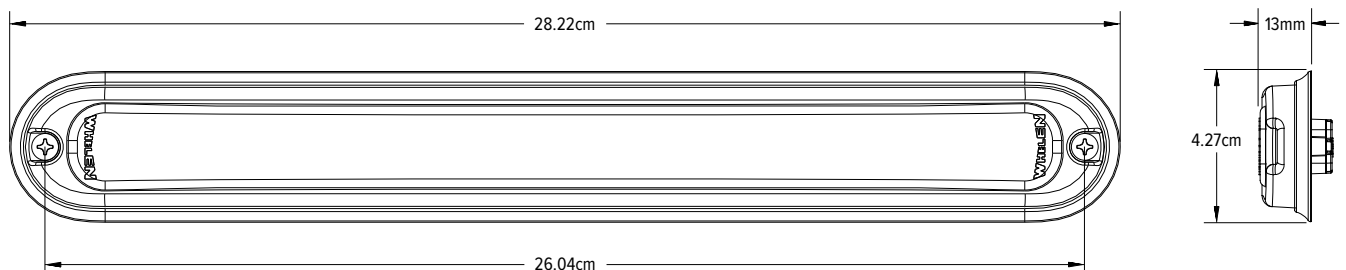


LS1052-01	Varsellys, ION Mini T-Series Linear Super-LED, 12V, SAE, Gul	LS1052-09	Whelen® ION™ Mini T™, Red/Clear, 24V, ECE
LS1052-02	ION™ Mini T-Series™ Linear Super-LED, Blå/Klar linse SAE 12V	LS1052-12	DUO ION™ Mini T-Series™ Linear Super-LED®, Amber/Blue SAE 12
LS1052-03	ION™ Mini T-Series™ Linear Super-LED®, White/Clear SAE 12V	LS1052-13	DUO ION™ Mini T-Series™ Linear Super-LED®, Gul/Hvit SAE 1
LS1052-04	Varsellys, Whelen ION™ Mini T™, 12V, ECE, Gul	LS1052-14	DUO ION™ Mini T-Series™ Linear Super-LED®, Red/White SAE
LS1052-05	Whelen® ION™ Mini T™, Amber/Clear, 24V, ECE	LS1052-23	DUO ION™ Mini T-Series™ Linear Super-LED®, Blue/White SAE 12
LS1052-06	Whelen® ION™ Mini T™, Amber/Clear, 24V, ECE	LS1052-24	DUO ION™ Mini T-Series™ Linear Super-LED®, Blue/Red SAE 12
LS1052-07	Whelen® ION™ Mini T™, Blue/Clear, 24V, ECE	LS1052-31	TRIO ION™ Mini T-Series™ Linear Super-LED®, Blue/Amber/White
LS1052-08	Whelen® ION™ Mini T™, Red/Clear, 12V, ECE	LS1052-32	TRIO ION™ Mini T-Series™ Linear Super-LED®, Red/Blue/White

## FEATURES

- Linear Super-LED® optics
- 73 Scan-Lock™ flash patterns, including steady burn
- Hard-coated lenses resist environmental damage from sand, sun, salt, and road chemicals
- Smoked lenses available
- Easily mounts to surface via 2 screws
- Black flange included
- E Block™ technology prevents air and moisture from entering lighthead

## DIMENSIONS



LS1051-16	Whelen Mega T-Series, TRIO, Blue/Amber/White
-----------	--

# ION® V-Series™

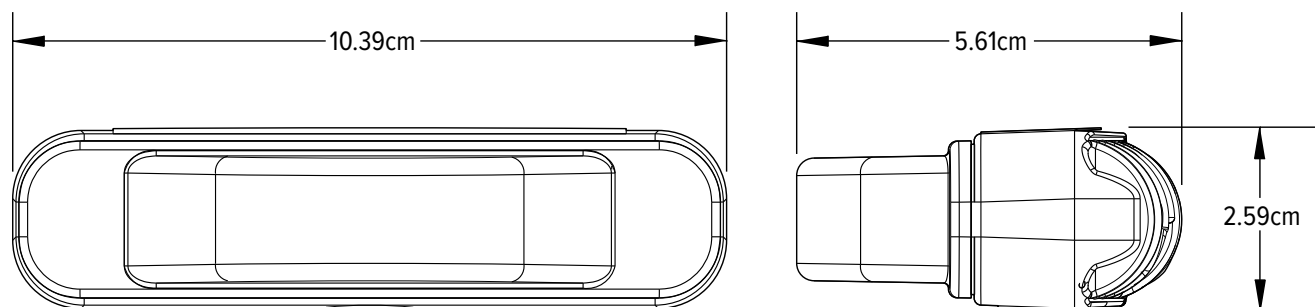


## FEATURES

- 3-in-1 combination warning, spotlight, and ground illumination light or single-color warning models available
- Single-color models have combination 180° and TIR™ directional warning

- Black, White, or Chrome housing
- Hard-coated lenses resist environmental damage from sand, sun, salt, and road chemicals
- Smoked lenses available

## DIMENSIONS



LS1037-50	Whelen® ION™ Wide Angle, 12V, White	LS1037-11	Varsellys, ION™ V-Series™ Super LED, 12V, Gul, ECE65
LS1043-11	Varsellys, ION™ SURFACE MOUNT V-Series™t, Gul, ECE	LS1037-12	ION V-Series Universal Mount Blå, TIR Warning 12V, R65
LS1043-12	Whelen ION™ SURFACE MOUNT V-Series™, Blå, ECE		

# U-Series™

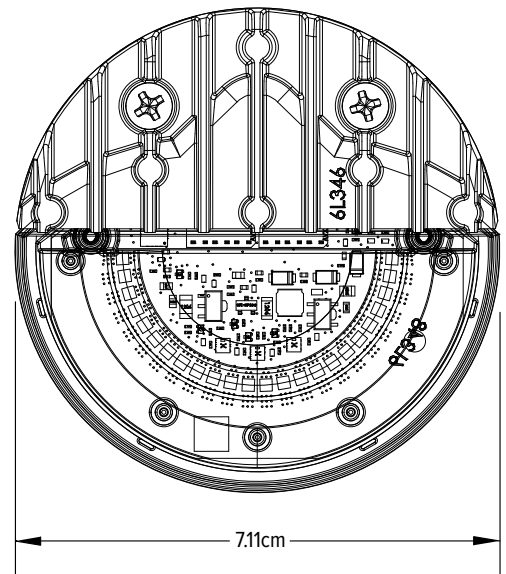
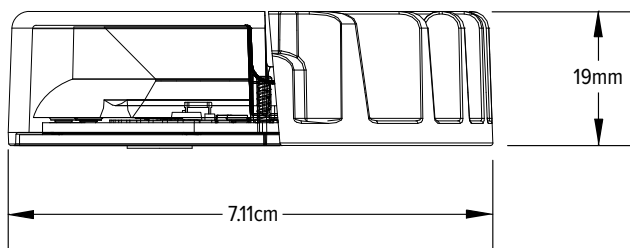


## FEATURES

- Innovative U-shaped optics create 180° light output
- DUO™ or TRIO™ models available
- Universal or under-mirror mounting options available
- Conformal coated electronics for moisture and vibration resistance

- Hard-coated lenses resist environmental damage from sand, sun, salt, and road chemicals
- Smoked lenses available
- Synchronizes with other Whelen products
- 35 Scan-Lock™ flash patterns, including steady burn

## DIMENSIONS



LS1056-01	Whelen® U-Series DUO Blue/White, 10-30V, SAE	LS1056-05	Whelen® U-Series DUO Amber/White SMOKED, 10-30V, SAE
LS1056-02	Whelen® U-Series DUO Amber/White, 10-30V, SAE	LS1056-06	Whelen® U-Series DUO Blue/Amber SMOKED, 10-30V, SAE
LS1056-03	Whelen® U-Series DUO Blue/Amber, 10-30V, SAE	LS1056-07	Whelen® U-Series TRIO, Blue/Amber/White, 10-30V, SAE
LS1056-04	Whelen® U-Series DUO Blue/White SMOKED, 10-30V, SAE	LS1056-08	Whelen® U-Series TRIO, Blue/Amber/White, SMOKED, 10-30V, SAE



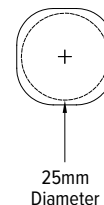
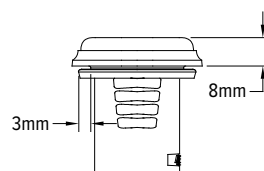
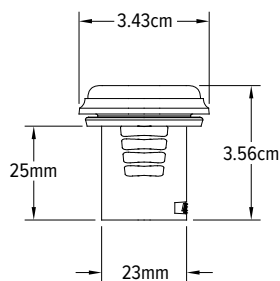
## VXE™ Series



### FEATURES

- DUO™ and TRIO™ functionality
- DUO: 8 LEDs
- TRIO: 12 LEDs
- Directional light output
- Steady only (external flasher required)
- Low profile/compact design
- 25mm mounting grommet
- Smoked lenses available

### DIMENSIONS



LS1032-20	Whelen® VXE DUO Amber/White, 10-30V, SAE	LS1032-25	Whelen® VXE SmartLED DUO Blue/White, 10-30V, SAE
LS1032-21	Whelen® VXE DUO Blue/White, 10-30V, SAE	LS1032-26	Whelen® VXE SmartLED DUO Blue/Amber, 10-30V, SAE
LS1032-22	Whelen® VXE DUO Blue/Amber, 10-30V, SAE	LS1032-30	Whelen® VXE SmartLED DUO Blue/Amber, 10-30V, ECE, PAIR
LS1032-23	Whelen® VXE TRIO Blue/Amber/White, 10-30V, SAE	LS1032-31	Whelen® VXE SmartLED DUO Blue/White, 10-30V, ECE, PAIR
LS1032-24	Whelen® VXE SmartLED DUO Amber/White, 10-30V, SAE	LS1032-32	Whelen® VXE SmartLED DUO Amber/White, 10-30V, ECE, PAIR



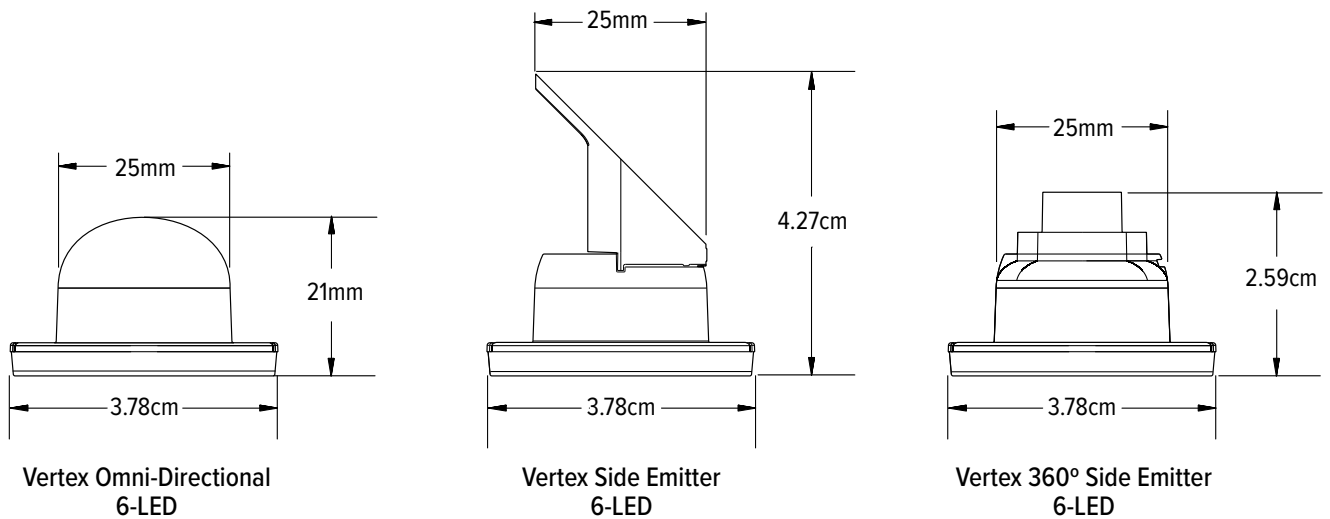
# Vertex™ Series



## FEATURES

- Self-contained light with in-line lamp driver
- Available as an omni-directional, side emitter, or directional lighthouse
- Designed to mount in composite style headlight or taillight, or surface mount to exterior surfaces with flange
- Fully encapsulated for moisture, vibration, and corrosion resistance
- Hard-coated lenses resist environmental damage from sand, sun, salt, and road chemicals
- Clear outer lens, color LEDs
- Smoked lenses available
- 25 Scan-Lock™ flash patterns, including steady burn

## DIMENSIONS



LS1032-01	Varsellys, Whelen Vertex Super-LED, 12V, Gul	LS1032-04FW2	Whelen® Vertex Directional Lens Hvit 12V
LS1032-01FA2	Varsellys, Whelen Vertex™ Flat Super-LED, 12V, Gul, SAE	LS1032-06	Whelen® Vertex™ Super-LED®, Gul, 24V
LS1032-02	Whelen® Vertex™, Super-LED®, Blå, 12V	LS1032-07	Varsellys, Whelen Vertex Super-LED, 24V, Blå
LS1032-02FB2	Whelen® Vertex™, Flat linse, Blå, 12V, SAE	LS1032-08	Whelen® Vertex™ Flat Super-LED, 12V, Gul, ECE65
LS1032-02SE	Whelen® Vertex™, Side Emitter, Blå, 12V	LS1032-09	Whelen® Vertex™, Blå, 12V, ECE65
LS1032-03	Whelen® Vertex™ Super-LED®, Rød, 12V	LS1032-12	Whelen® Vertex™, Duo Blå/Gul
LS1032-03FR2	Whelen® Vertex™ Flat Super-LED, Rød 12V, SAE	LS1032-14	Whelen® Vertex™, Duo Blå/Hvitt
LS1032-04	Whelen® Vertex™ Super-LED®, Hvit, 12V	LS1032-15	Whelen® Vertex™, Duo Gul/Hvitt

# M Series®

M2: **R10** **10YR** **12** **24** **SYNC** **SCAN LOCK** **HARD COAT** **R65 CLASS 2** **R65 CLASS 1** **SOLO™** **DUO™**

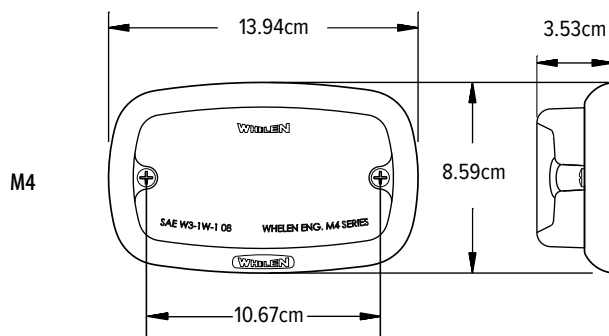
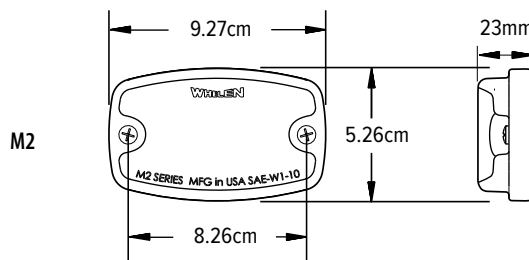
M4: **R10** **10YR** **12** **24** **SYNC** **SCAN LOCK** **HARD COAT** **R65 CLASS 2** **R65 CLASS 2** **R65 CLASS 2** **SOLO™** **DUO™**



## FEATURES

- SOLO™, split-color, or DUO™ models available
- Clear or Color lenses available
- Available in steady burn or with an internal flasher
- Hard-coated lenses resist environmental damage from sand, sun, salt, and road chemicals
- Easily mounts to surface via 2 screws
- Variety of mounting brackets, and optional Chrome or Black flange available
- Up to 189 Scan-Lock™ flash patterns, including steady burn

## DIMENSIONS



LS1044-01	Varsellys, Whelen M2 Super-LED, 12V, Gul/Klar	LS1033-01	Varsellys, Whelen M4 Series Warning, 12V, Gul/Klar
LS1044-02	Varsellys, Whelen M2 Super-LED, 24V, Gul/Klar	LS1033-02	Whelen® M4 Series Warning, Blå/Klar, 12V
LS1044-03	Whelen® M2 Super-LED, Blå/Klar linse, 12V	LS1033-03	Whelen® M4 Series Warning, Blå/Blå linse, 12V
LS1044-04	Whelen® M2 Super-LED, Blå/Klar linse, 24V, SAE	LS1033-04	Varsellys, Whelen M4 Series Warning, 24V, Gul/Klar
LS1044-10	Varsellys, Whelen M2 Super-LED, 24V, Hvitt/Klar	LS1033-05	Whelen® M4 Series Warning, Blå/Klar, 24V
LS1044-11	Whelen® M2 Super-LED, Blå/Blå, 12V, ECE, pair	LS1033-06	Varsellys, Whelen M4 Series, ECE65, 12V, Gul/Gul linse
LS1044-12	Whelen® M2 Super-LED, Blå/Blå, 24V, ECE, pair	LS1033-07	Whelen® M4 Series, ECE65, Blå/Blå, 12V
LS1044-13	Whelen® M2™ Series NEW! Solo Blue w/blue lens	LS1033-08	Varsellys, Whelen M4 Series, ECE, 24V, Gul/Gul
LS1044-14	Whelen® M2™ Series NEW! Solo Amber w/amber lens	LS1033-09	Whelen® M4 Series, ECE65, Blå/Blå, 24V
LS1044-15	Whelen® M2™ Series NEW! Solo Blue w/clear lens	LS1033-10	Whelen® M4 Super-LED, Blå/blå linse, 24V, SAE
LS1044-16	Whelen® M2™ Series NEW! Solo Amber w/clear lens	LS1033-13	Whelen® M4-Series DUO LED Amber/White 24V
LS1044-17	Whelen® M2™ Series NEW! Solo White		

**FERNO**<sup>®</sup>

Norden



# BEACONS



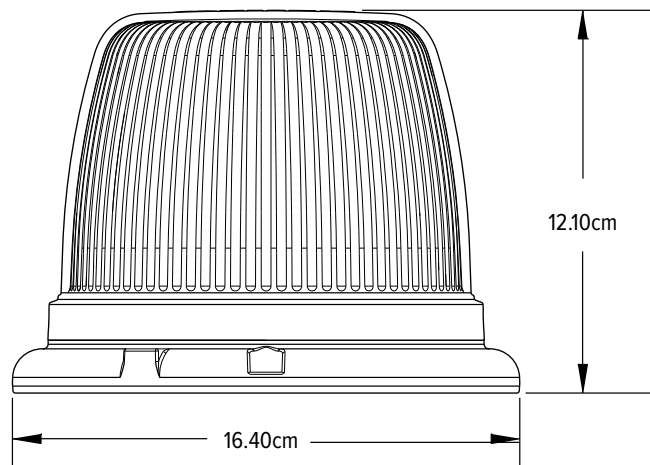
## L41 Series



### FEATURES

- Super-LED® beacon
- Powder-coated die-cast base
- Fully encapsulated for moisture, vibration, and corrosion resistance
- Full reverse polarity protection
- Smooth polycarbonate outer dome with hard-coated outer lenses for fade resistance and clarity
- Virtually no RFI/EM1 radiation
- Permanent, magnetic, and magnetic/suction mount models available
- 25 Scan-Lock™ flash patterns, including steady burn

### DIMENSIONS



L41 Series

LS1042-01	Whelen L41 Super-LED, permanent, 12V/24V, Gul	LS1042-09	Whelen L41 Super-LED, triple magnet, 12V/24V, Blå/Blå, ECE
LS1042-02	Whelen L41, Super LED, permanent, 12V/24V, Blå	LS1042-10	Whelen L41 Super-LED, magnet/vakuum, 12V/24V, Gul/Gul, ECE
LS1042-03	Whelen L41, Super-LED, magnet/vakuum, 12V/24V, Gul	LS1042-11	Whelen L41 Super-LED, triple magnet, 12V/24V, Gul/Gul, ECE
LS1042-04	Whelen L41, Super-LED, vakuum, 12V/24V, Blå	LS1042-12	Whelen L41 Super-LED, magnet/vakuum, 12V/24V, Blå/Blå, ECE
LS1042-05	Whelen L41, Super-LED, permanent, 12V/24V, Gul, ECE	LS1042-13	Whelen L41, Super-LED, magnet, 12V/24V, Blå
LS1042-06	Whelen L41, Super-LED, permanent, 12V/24V, Blå, ECE	LS1042-14	Whelen L41, Super-LED, magnet, 12V/24V, Red

# L31 and L32 Series

L31: 5YR 12 24 TITLE 13 R10 SYNC SCAN LOCK R65 CLASS 2

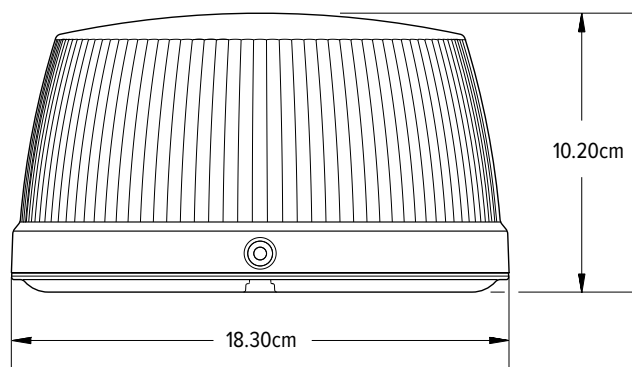
L32: 5YR 12 24 R10 SYNC SCAN LOCK R65 CLASS 1



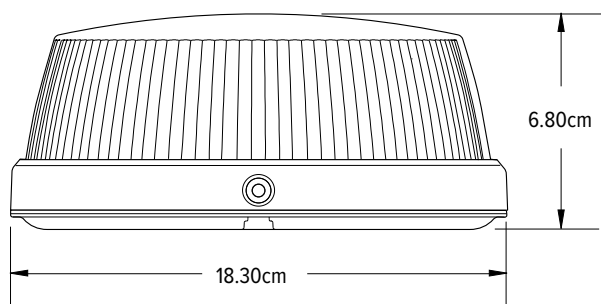
## FEATURES

- Super-LED® Linear reflectors and optics
- Powder-coated die-cast base
- Conformal coated electronics for moisture and vibration resistance
- Full reverse polarity protected
- Smooth polycarbonate outer dome with hard-coated outer lenses for fade resistance and clarity
- Virtually no RFI/EM1 radiation
- 69 Scan-Lock™ flash patterns, including steady burn

## DIMENSIONS



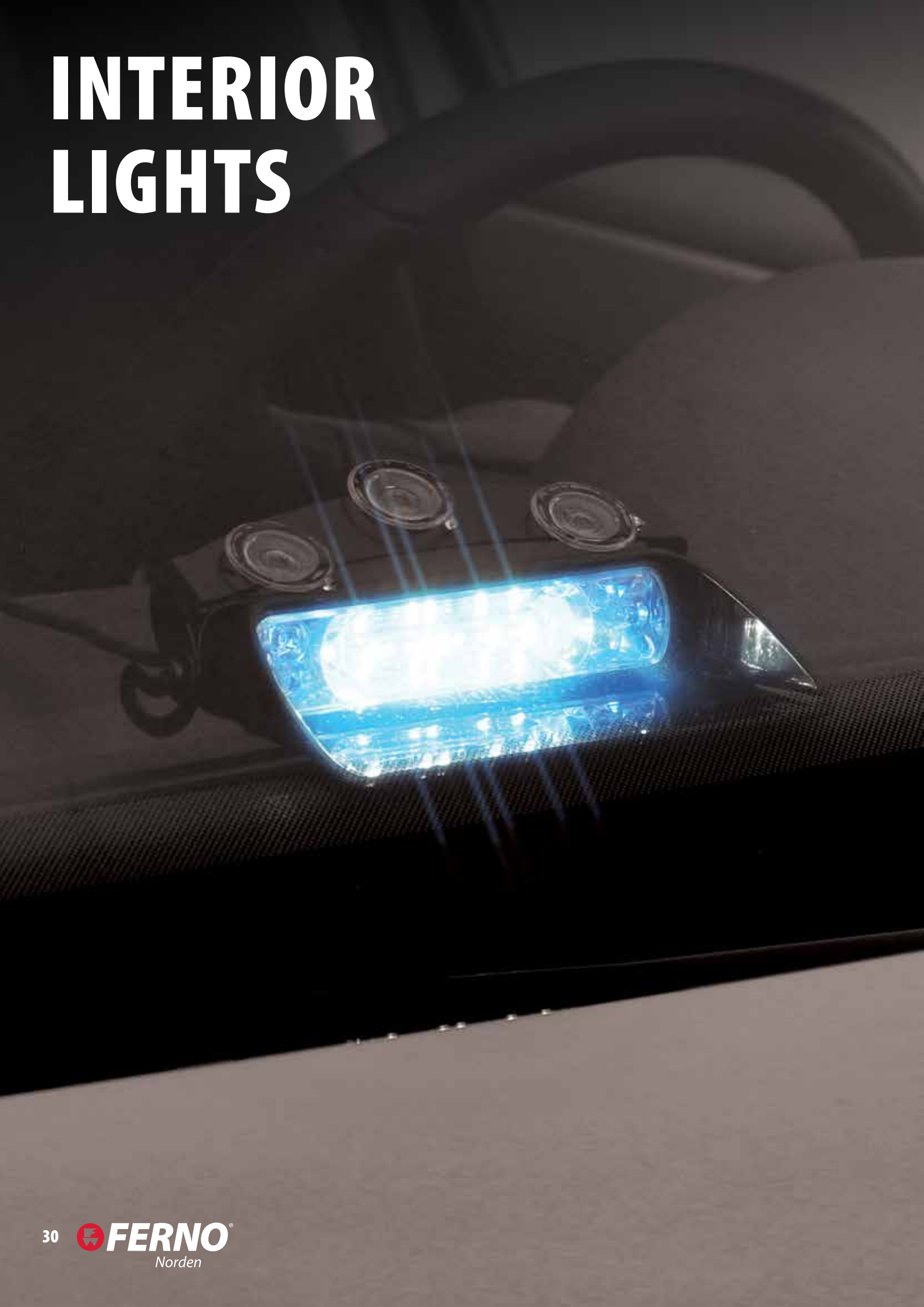
L31 High Dome



L32 Low Dome

LS1009-05	L360 Super-LED®, Høyt Glass, Magnet/Vakuumfot	LS1009-13	L360 High Dome Blue Perm 24V
LS1009-08	L360 High Dome Amb Perm 24V	LS1009-14	L31 SUPER-LED FLAT MT. RED 24V
LS1009-11	Whelen L31 Super-LED, permanent, 12V, Blå	LS1009-15	Whelen L31 Super LED, magnetfot, 12V, Gul
LS1009-12	Whelen L31 Super-LED, magnet/vakuumfot, 12V, Blå	LS1009-32	Whelen L31 Super-LED, permanent, 12V, Blå, ECE

# INTERIOR LIGHTS



# SpitFire® Series



## FEATURES

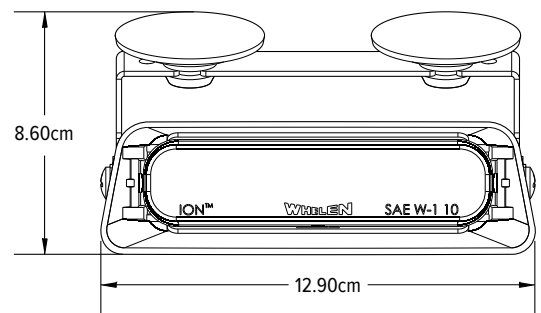
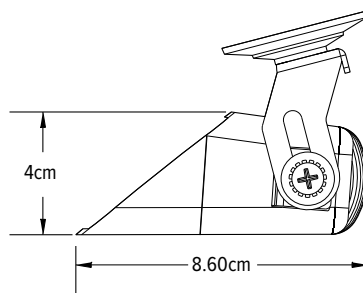
- Single- or split-color models available
- Single-color models have 33 Scan-Lock™ flash patterns
- Split-color models have 69 Scan-Lock flash patterns
- Molded polycarbonate housing with integral hood includes universal bail bracket and 2 suction cups for mounting
- Supplied with a 3m cord and cigar plug with built-in On/Off switch with LED "On" indicator and Scan-Lock pattern control switch

## OPTION



IONSFB

## DIMENSIONS



LS1041-01	Varsellys, Whelen Spitfire ION Super-LED, 12V, Gul, SAE	LS1041-03	Whelen® Spitfire™ ION™ Super-LED®, Röd/Klar, 12V, SAE
LS1041-02	Varsellys, Whelen Spitfire ION Super-LED, 12V, Blå, SAE	LS1041-04	Whelen® Spitfire™ ION™ Super-LED®, Hvitt/Klar, 12V, SAE

# CENCOM CORE®

## INTELLIGENT CONTROL SYSTEMS



Efficiency meets precision with our Intelligent Control Systems.

Seamlessly manage your fleet's warning lights and sirens with our advanced technology to ensure swift response times and enhanced safety on the road.

### FEATURES

#### Digital Voice Messages (DVM)

- Configure consistent messaging across your fleet.

#### Dynamic Variable Intensity™ (DVI™)

- Gradually increase and decrease warning light intensity.

#### Vehicle-To-Vehicle (V2V) Sync

- Automatically synchronize lights and tones on vehicles within any proximity to aid approaching motorists.

### SEAMLESS INTEGRATION

#### WeCanX®

- Synchronize your entire system with greater speed, peripheral add-ons, and full diagnostic support.

#### Whelen Cloud Platform®

- Send and receive data using cellular networks to manage your fleet with our cloud-based vehicle platform.

#### Whelen Command®

- Process hundreds of virtual inputs and receive updates and new releases on your products.

## CenCom Core®



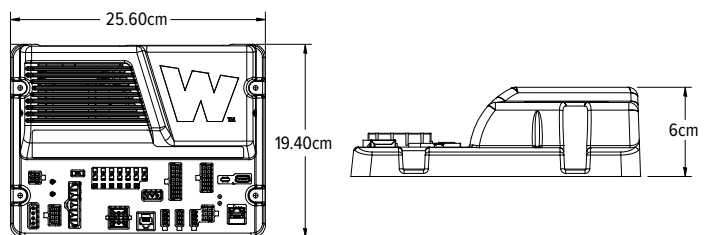
Created to enhance first responder safety, CenCom Core redefined control systems by providing the greatest configurability, speed, and expansion yet. Built to scale with your needs, Core® is highly configurable and offers advanced automation, remote connectivity, and true system synchronization.

### FEATURES

- Supports any combination of up to 99 WeCanX devices
- Remote firmware updates through USB-C with Whelen Command or over-the-air with Whelen Cloud Platform®
- 17 total inputs
- 23 total outputs



C399





# WeCanX<sup>®</sup> CONTROL HEADS

Ergonomically designed for situational awareness, WeCanX control heads are completely configurable. Models support flashing indicator LEDs and can also run system diagnostics. The passthrough WeCanX connection on the back of the control heads contributes to less wiring and an easier install.



## Core-R<sup>®</sup>



Core-R is a vehicle control system engineered to enhance first responder and motorist safety with complete configurability, advanced automation, and remote connectivity.

### FEATURES

- Supports any combination of up to 99 WeCanX<sup>®</sup> devices
- Remote firmware updates through USB-C with Whelen Command or over-the-air with Whelen Cloud Platform
- 8 total inputs

## Core-C<sup>®</sup>



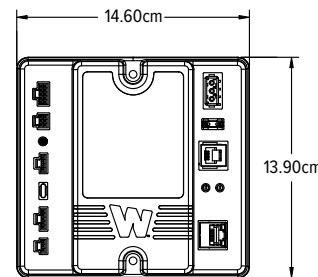
Core-C is a sophisticated warning light system for vehicles with limited space. Delivering enhanced WeCanX safety features with plug-and-play ease of installation, it combines the intelligence of a WeCanX controller with the functionality of a control head in one compact package.

### FEATURES

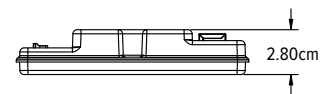
- Supports primary WeCanX devices
- Supports one Remote Expansion Module
- Remote firmware updates through USB-C with Whelen Command
- 1 ignition power-up input
- 1 output

## CTL5

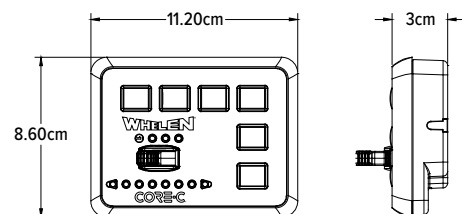
- Handheld 5-position 9 push-buttons



C399R



CCP9



LS4900-00	CENCOM CORE WCX CONTROL CENTER, WeCanX	LS4900-10	WeCanX 8 OUTPUT EXPANSION MOD
LS4900-01	WeCanX Hand-held Control Head	LS4900-11	WeCanX 16 Output Expansion MOD
LS4900-02	Whelen CenCom Core-C, kontrollpanel, sort	LS4900-12	Vehicle-To-Vehicle sync MOD
LS4900-03	Whelen <sup>®</sup> CenCom Core-R Remote Control CT	LS4900-13	WeCanX 16 Output Expansion MOD 10-30V
LS4900-04	Whelen <sup>®</sup> WeCanX External Amplifier	LS4900-14	24-Output WeCanX Expansion Module

# SIRENS AND SPEAKERS



# SA315 Projector™ Series

**2YR R10**



SA315P

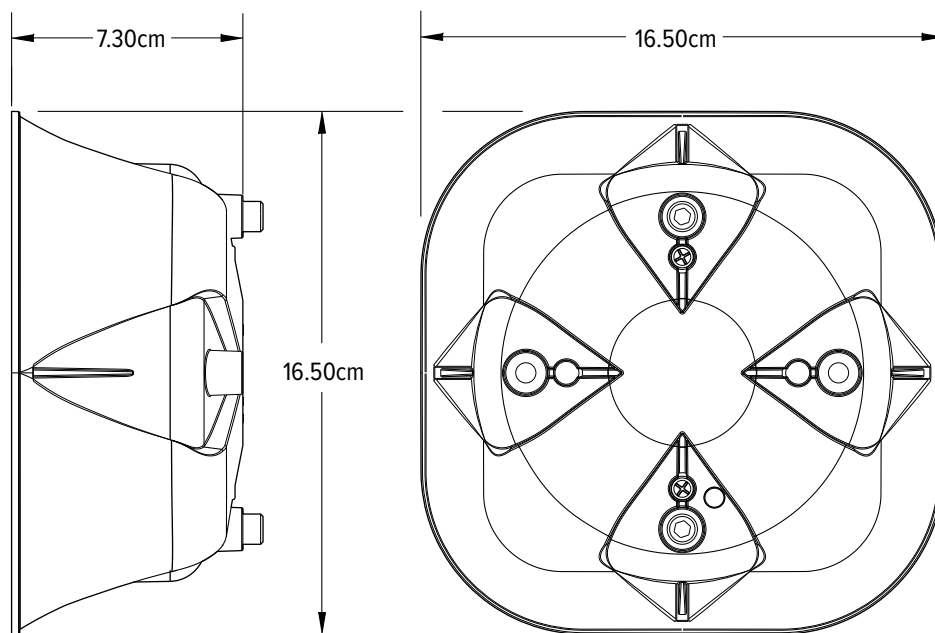


SA315U

## FEATURES

- All-weather nylon composite housing with front loaded, powder-coated speaker driver
- Optimum performance assured when used with all Whelen high-power electronic sirens
- Easily installs to the radiator cross member
- Universal mounting bracket

## DIMENSIONS



SA315P and SA315U / Rear View

LS2315SA Sirenehøytaler, Whelen 100W

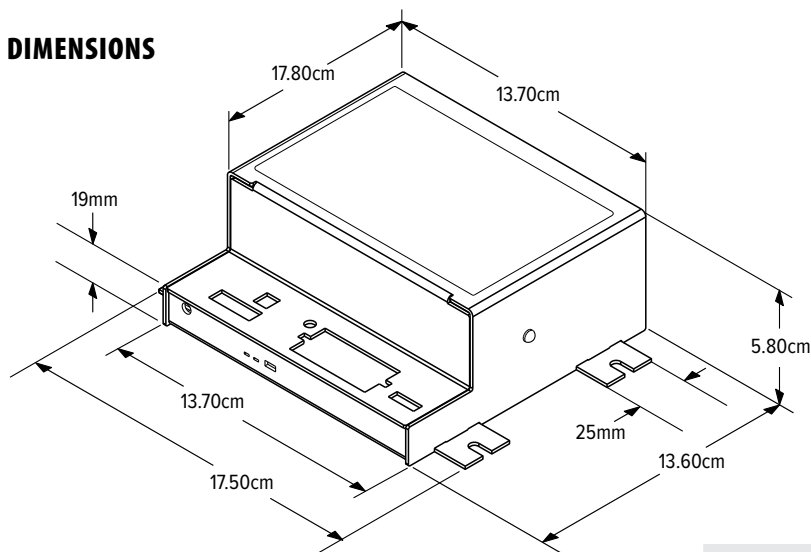
# Beta™ Siren Amplifier



## FEATURES

- Public address and radio repeat functionality
- PA override in all functions
- 16 siren tones available, including Wail, Yelp, Piercer, High-Low, B-Wail, B-Yelp, B-Hi/Low and AirHorn tones
- Conveniently accessible dip switches on remote amplifier allows instant configuration of 8 modes of operation
- Pre-wired with quick disconnect plug

## DIMENSIONS



LS1281	Beta Amp 12V 100W SE
LS1290	Sirene Beta 24V, 100W
LS4005-01	BETA Amp 2x100W NO/FI

# SA340TS/SA340STS Speaker

2YR R10



SA340TS

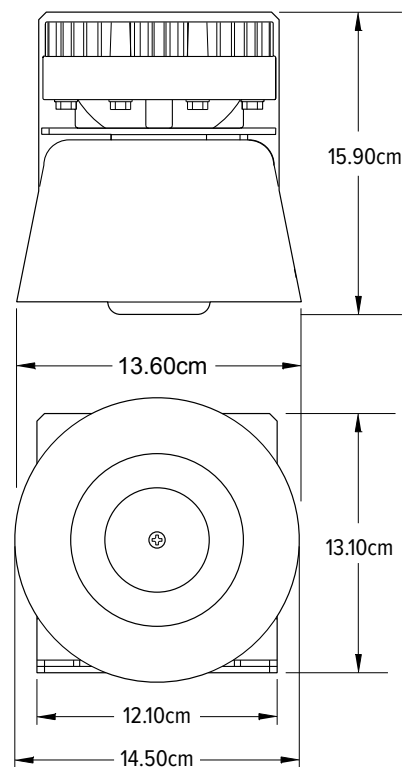
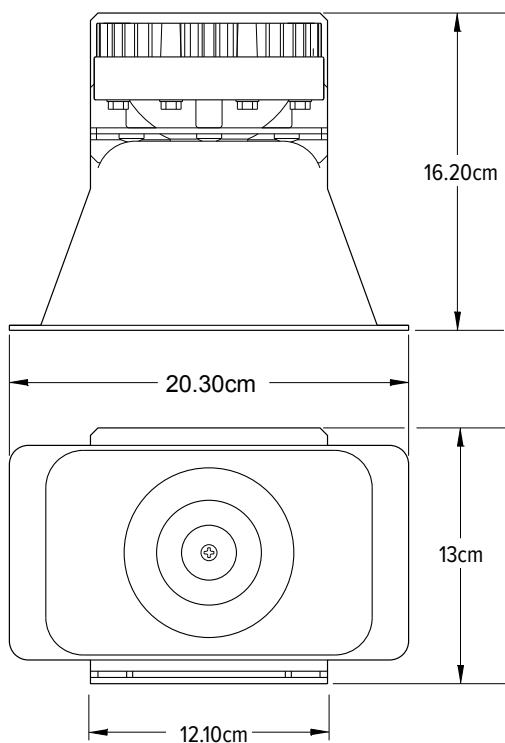


SA340STS

## FEATURES

- Optimum performance assured when used with all Whelen high-power electronic sirens
- Multiple flare styles provide a variety of projection angles
- Universal mounting bracket

## DIMENSIONS



# WSSC30 Speaker



## OPTION



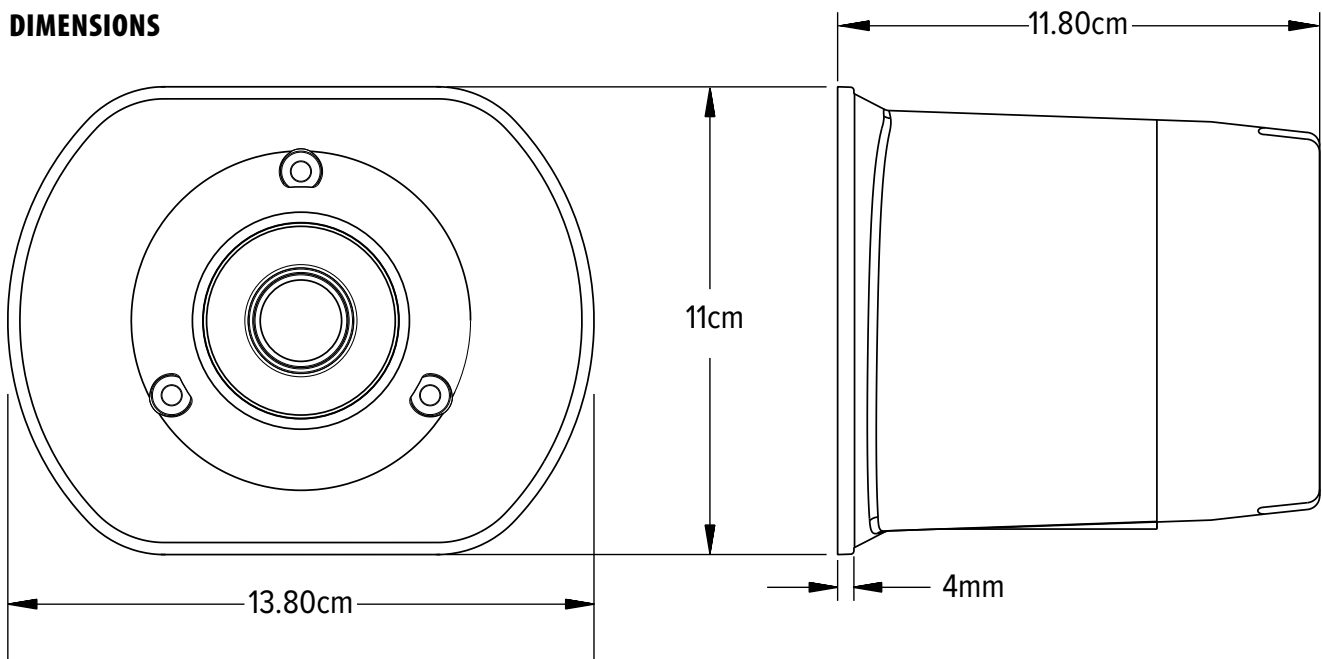
Optional Motorcycle Switch



## FEATURES

- Combination siren and speaker in a single unit
- 4 modes of operation
- Hands-free operation for Wail and Yelp tones
- Airhorn switch produces airhorn as a main tone and an override tone
- Two-way "L" mounting bracket
- Housing and water-resistant connectors provide vibration and moisture resistance
- Motorcycle switch available

## DIMENSIONS



LS4003-02 30W Siren/Speaker Combination

**FERNO**  
Norden



# WHITE ILLUMINATION





# Arges® Remote Spotlight

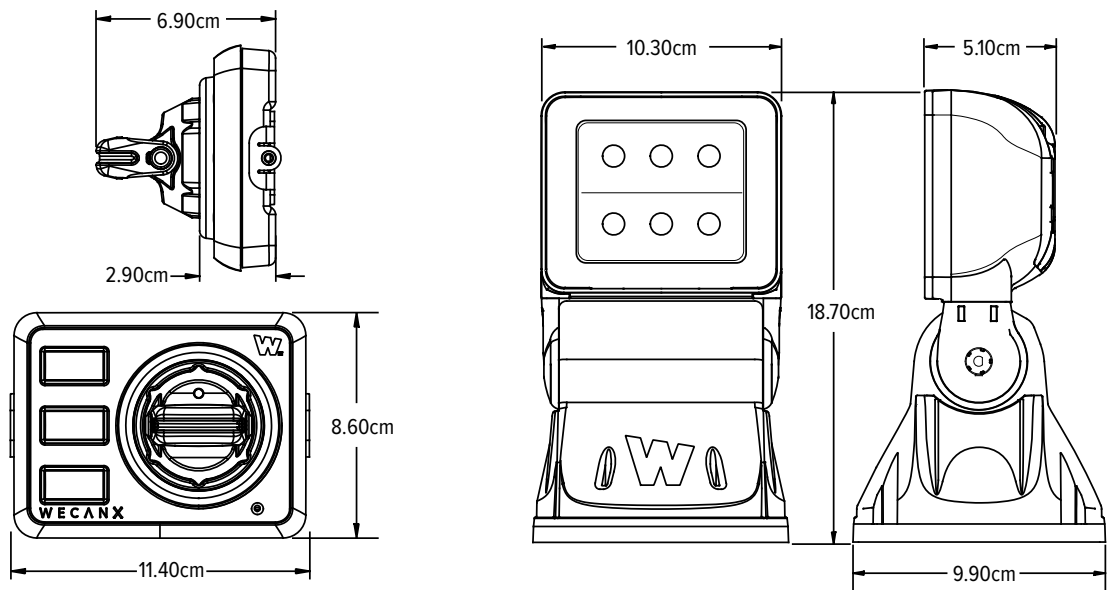


## FEATURES

- Innovative mechanical design provides 360° of continuous rotation and a 180° tilt range
- ProFocus™ Models: 5° spot to 60° flood variable beam width
- Spotlight Models: 5° spot
- Proclera® Silicone Optics
- Black die-cast aluminum housing
- CenCom Core® and WeCanX® compatible
- Drivetrain is electronically and mechanically protected
- Argès installs quickly and requires no A-pillar drilling or airbag interference
- (2) 45.7cm power control harnesses and (1) 30.5cm communication cable included
- Control head features a paddle and 3 push-buttons
- Program Argès with Whelen Command® or use alone with its paired control head
- Full Argès system passes CISPR 25 Class 3



## DIMENSIONS



LS1054-22	Whelen Argès Super-LED Spotlight bail contr head,flat mount	LS1054-10	Whelen Control Head for Argès, Bail bracket
LS1054-23	Whelen Argès Super-LED Spot-floodlight,bail contr head,flat	LS1054-11	Whelen Control Head for Argès, Swivel mount
LS1054-01	Whelen Argès Super-LED Remote Control Spotlight, Black	LS1054-20	Whelen Flat mount for Argès, Universal
LS1054-02	Whelen Argès Super-LED Remote Contr Spot/Flood Comb light	LS1054-21	Whelen Lightbar mount for Argès

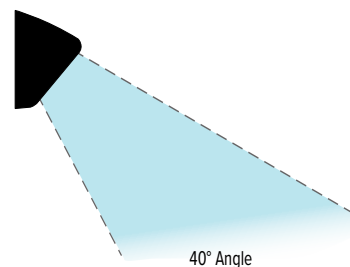
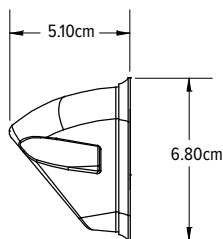
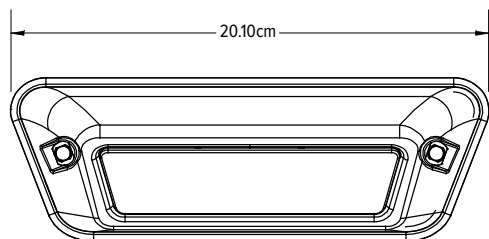
# Perimeter Enhancement Light



## FEATURES

- One- or two-color models available
- Fully encapsulated for moisture, vibration, and corrosion resistance
- Same mounting dimensions as original PEL models
- Light is projected downward at a 40° angle for widespread ground illumination
- Hard-coated lenses resist environmental damage from sand, sun, salt, and road chemicals
- E Block™ technology prevents air and moisture from entering the lighthouse
- Mounts to vertical surfaces and may be mounted inverted
- Molded rubber gaskets protect body panels
- Black, Chrome, Red, Yellow, or White flange available

## DIMENSIONS



Light Spread

LS1050-05	Whelen Perimeter Light Super LED, 12-24V, sort
LS1050-06	Whelen Perimeter Light Super LED, 12-24V, hvit
LS1050-07	Whelen Perimeter Light Super LED, 12-24V, rød
LS1050-08	Whelen Perimeter Light Super LED, 12-24V, gul

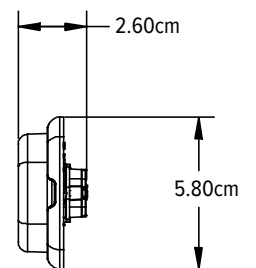
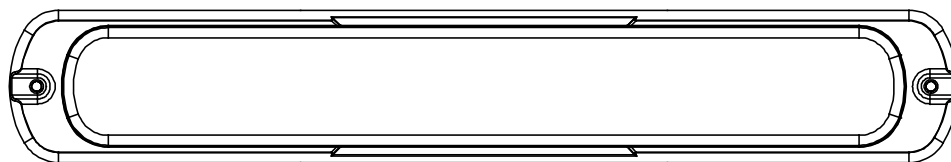
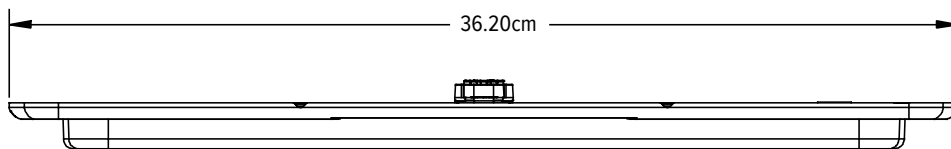
# WorkSide™



## FEATURES

- Light is projected down and out for increased visibility and expanded view of work areas
- Sleek, low-profile, Strip-Lite™ style footprint
- E Block™ technology prevents air and moisture from entering the lighthouse
- Hard-coated lenses resist environmental damage from sand, sun, salt, and road chemicals
- Selectable turn-on functionality
  - Multiple turn-on styles ranging from instant to gradual (Slow, Medium, Fast, Instant)
  - 3 low-power settings provide situation-specific lighting for a variety of scenarios
- Low current consumption
- Surface mount
- 46cm pigtail cable included

## DIMENSIONS



LS1050-10 Whelen® WorkSide™ Lighthouse Super-LED® Black housing, 10-30V  
LS1050-11 Whelen® WorkSide™ Lighthouse Super-LED® Chrome housing, 10-30V

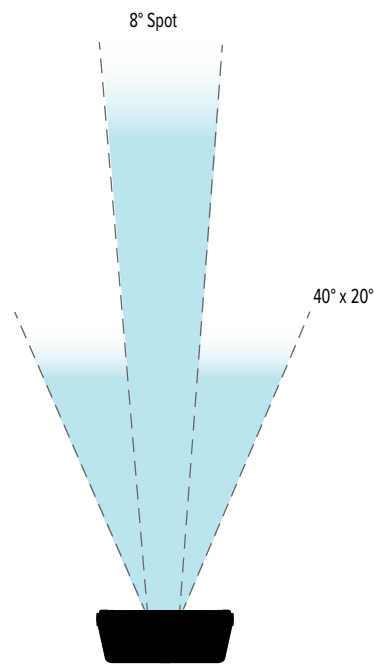
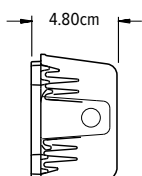
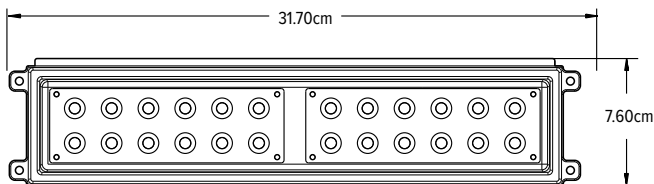
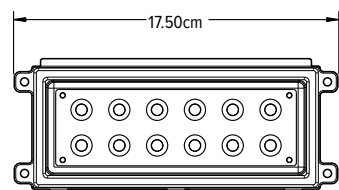
# Pioneer SlimLine™



## FEATURES

- Single or dual-lamp models available
- Single Lamp Models: 8° spotlight pattern comes standard
  - Includes additional 40° x 20° flood lens
- Dual Lamp Models: 8° spotlight pattern comes standard
- Includes 2 additional optic lenses for a light pattern choice of:
  - Dual 40° x 20° flood
  - 8° spot and 40° x 20° flood
- Optic lens changes easily via removable lens retainer
- Injection molded polycarbonate lenses are impact resistant
- Hard-coated lenses resist environmental damage from sand, sun, salt, and road chemicals
- Black or White die-cast aluminum powder-coated housing
- Solid-state electronics
- LEDs are instant On/Off, eliminating high inrush current and ramp-up time
- Correlated Color Temperature (CCT) of 5,700 Kelvin simulates bright midday light
- 1.83m cable included
- Powder-coated stainless steel bail bracket

## DIMENSIONS



Light Spread

LS1030-11	Whelen Pioneer SlimLine Single arbetslys, bail mount, 12V,
LS1030-12	Whelen Pioneer SlimLine Single arbetslys, bail mount, 24V,
LS1030-13	Whelen Pioneer SlimLine Dual arbetslys, bail mount, 12V, so
LS1030-14	Whelen Pioneer SlimLine Dual arbetslys, bail mount, 24V, so

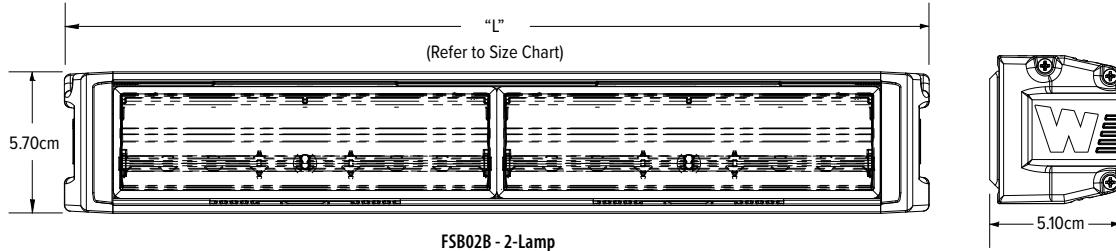
# Field Series™ Brow Light



## FEATURES

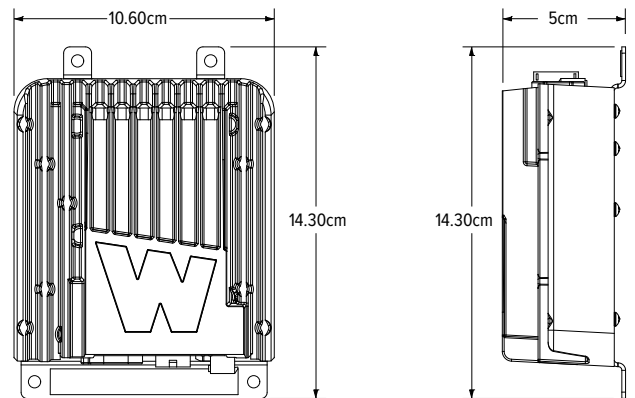
- Up to 13 lightheads per power supply in multiple configurations
- Field serviceable
- 10-30 VDC
- 8 total inputs
- Low current switching
- Variable power distribution
- Extruded aluminum Black or White powder-coated housing
- Hard-coated lenses resist environmental damage from sand, sun, salt, and road chemicals
- Scan-Lock™ capability for light ramp, power, and markers

## DIMENSIONS



"L" Size Chart

35.10cm 2-lamp	50.80cm 3-lamp	66.30cm 4-lamp	81.80cm 5-lamp	97.50cm 6-lamp	113.10cm 7-lamp	153.90cm 8-lamp	144.10cm 9-lamp	159.80cm 10-lamp	175.30cm 11-lamp	190.80cm 12-lamp	206.50cm 13-lamp
-------------------	-------------------	-------------------	-------------------	-------------------	--------------------	--------------------	--------------------	---------------------	---------------------	---------------------	---------------------



FSBPS - Power Supply

LS1050-20	Whelen® Field Series® Brow Light, 2-lamp, Black housing, 10-30V
LS1050-21	Whelen® Field Series® Brow Light, 4-lamp, Black housing, 10-30V
LS1050-22	Whelen® Field Series® Brow Light, 6-lamp, Black housing, 10-30V
LS1050-23	Whelen® Field Series® Brow Light, 8-lamp, Black housing, 10-30V

# Pioneer Micro™

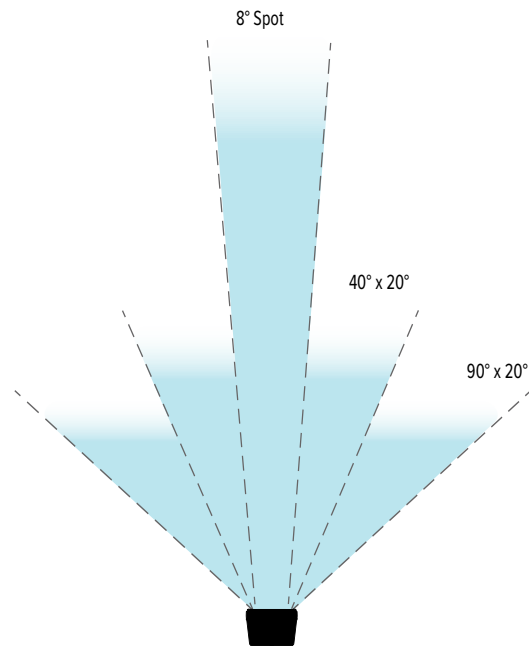
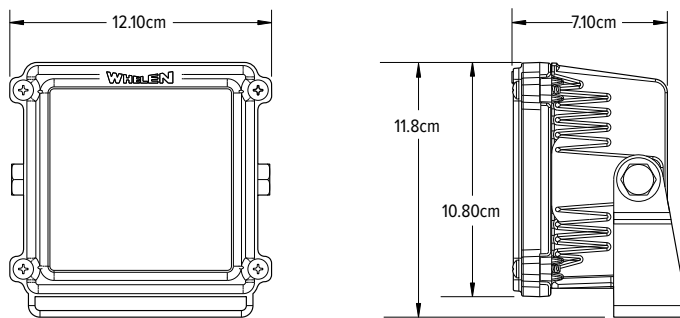


## FEATURES

- 8° spotlight pattern comes standard. Includes 3 additional optic lenses for a light pattern choice of:
  - 90° x 20° wide flood
  - 40° x 20° standard flood
  - 40° x 8° narrow flood
- Optic lens changes easily via removable lens retainer
- Injection molded polycarbonate lenses are impact resistant
- Black or White die-cast aluminum powder-coated housing
- Solid-state electronics
- LEDs are instant On/Off, eliminating high inrush current and ramp-up time
- Correlated Color Temperature (CCT) of 5,700 Kelvin simulates bright midday light

- Hard-coated lenses resist environmental damage from sand, sun, salt, and road chemicals
- 1.83m cable included
- 5 mounts available:
  1. Powder-coated stainless steel bail bracket with 9.65mm stud carriage bolt mount
  2. Recessed 90° angle mount with Chrome flange
  3. Recessed 15° angle mount with Chrome flange
  4. Pole/pedestal mount with handle available with or without On/Off switch
  5. Low-profile pedestal mount available with Chrome or Black back cover, with or without On/Off switch

## DIMENSIONS



Light Spread

LS1030-07 Whelen Pioneer Micro arbetslys, bail mount, 12V, sort

LS1030-17 Whelen Pioneer Micro arbetslys, bail mount, 12V, hvit

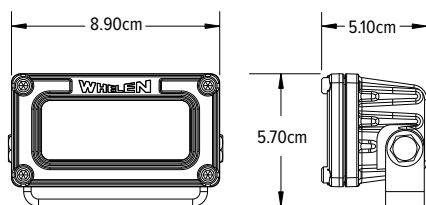
# Pioneer Nano™



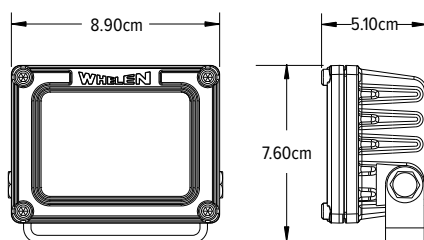
## FEATURES

- 8° spotlight pattern comes standard. Includes additional optic lens for a light pattern of:
  - 40° x 20° flood
- Optic lens changes easily via removable lens retainer
- Injection molded polycarbonate lenses are impact resistant
- Black or White die-cast aluminum powder-coated housing
- Hard-coated lenses resist environmental damage from sand, sun, salt, and road chemicals
- Solid-state electronics
- LEDs are instant On/Off, eliminating high inrush current and ramp-up time
- Correlated Color Temperature (CCT) of 5,700 Kelvin simulates bright midday light
- 1.83m cable included
- Powder-coated stainless steel bail bracket with 9.65mm stud carriage bolt mount

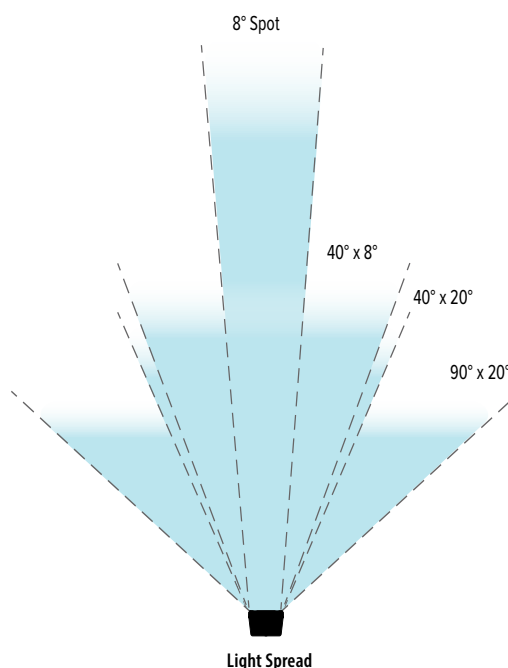
## DIMENSIONS



Nano 3



Nano 6



Light Spread

LS1030-08	Whelen Pioneer Nano 3 LED arbeidslys, bail mount, 12V, sort	LS1030-18	Whelen Pioneer Nano 3 LED arbeidslys, bail mount, 12V, hvit
LS1030-09	Whelen Pioneer Nano 6 LED arbeidslys, bail mount, 12V, sort	LS1030-19	Whelen Pioneer Nano 6 LED arbeidslys, bail mount, 12V, hvit
LS1030-10	Whelen Pioneer Nano 6 LED arbeidslys, bail mount, 24V, sort	LS1030-20	Whelen Pioneer Nano 6 LED arbeidslys, bail mount, 24V, hvit



**Ferno Norden**, founded in 1979, is a leading provider of specialized equipment for prehospital care, industrial safety, rescue, and funeral services across the Nordic region. With decades of experience and a commitment to safety, quality, and innovation, our products are trusted by emergency services, defense forces, industrial operators, and healthcare providers. Our extensive offerings also include advisory services and customized installations for specialized vehicles.



With dedicated teams and offices across several European countries, Ferno Norden is committed to meeting the safety, rescue, and emergency needs of the Nordic and Baltic regions. Ferno Norden owns and operates its sales offices in **Norway**, **Sweden**, **Denmark**, and **Finland**, while trusted local sales teams represent us in the other countries such as **Iceland**, **Lithuania**, **Latvia** and **Estonia**, ensuring consistent expertise and support tailored to each region. For customers in the **Faroe Islands** and **Greenland**, sales and support are handled through our Danish office.



Whether you need product information, assistance with an order, or guidance on selecting the right solutions for your organization, our teams are ready to help. Contact your local office to find the best tools and systems to support your mission.

[www.fernonorden.com](http://www.fernonorden.com)

## *Our sustainability work*

*Our sustainability work follows and is based on the UN's Agenda 2030, which consists of 17 global goals for sustainable development that aim to eradicate poverty, stop climate change and create peaceful and safe societies.*

